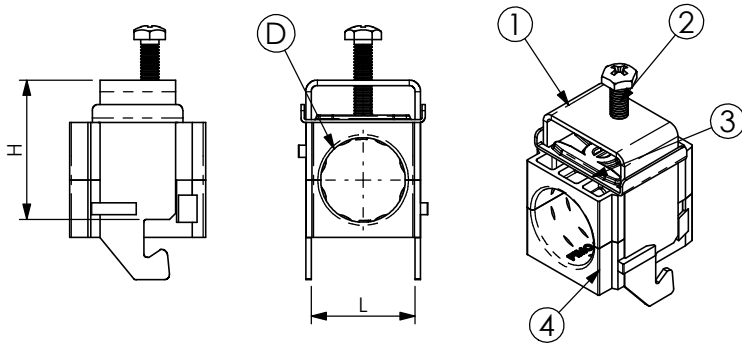


PRODUCT DATA SHEET



A) SPECIFICATIONS

- 1 Stainless steel bow
Hooking on section 40x22mm
- 2 Self-locking pressure screw M6
- 3 Stainless steel sliding pressure plate.
- 4 SAS black P.A. fiberglass saddles

B) RESISTANCE TESTS

UV Test BS-ISO 105-B06
Vibration test conforming to UNI 60068-2-6
Operating temperature: -30°C +120°C



C) PACKAGING INFORMATION

Packing in boxes.
Label indicating:
product code, article, quantity,
production batch,
FIMO logo and figure.
(Customer code on request).

D) MOUNTING INSTRUCTIONS

IST026

CODE	ARTICLE	ø D	L	H	BOX	WEIGHT
61 1554 0006	sRF C/ 1x6	5 - 6	12	20	50	44
61 1554 0007	sRF C/ 1x7	6 - 7	12	20	50	44
61 1554 0008	sRF C/ 1x8	7 - 8	12	20	50	44
61 1554 0009	sRF C/ 1x9	8 - 9	12	20	50	44
61 1554 0091	sRF C/ 1x9 M	9 - 10	12	20	50	44
61 1554 0010	sRF C/ 1x10	10 - 11	12	20	50	44
61 1554 0011	sRF C/ 1x11	10 - 11	22	34	50	76
61 1554 1012	sRF C/ 1x12	11 - 12	22	34	50	76
61 1554 0013	sRF C/ 1x13	12 - 13	22	34	50	76
61 1554 0014	sRF C/ 1x1/2" S (14)	13 - 14	22	34	50	76
61 1554 0015	sRF C/ 1x15	14 - 15	22	34	50	76
61 1554 0038	sRF C/ 1x3/8" (16)	15 - 16	22	34	50	74
61 1554 0012	sRF C/ 1x1/2" (17)	16 - 17	22	34	50	70
61 1554 0058	sRF C/ 1x5/8" (23)	21 - 23	34	46	50	120
61 1554 0027	sRF C/ 1x7/8" S (27)	26 - 27	34	46	50	118
61 1554 0078	sRF C/ 1x7/8" (28)	27 - 28	34	46	50	118
61 1554 1178	sRF C/ 1x7/8" M (30)	29 - 30	34	46	50	116
61 1554 0118	sRF C/ 1x1.1/8" (38)	36 - 38	46	58	50	168
61 1554 0114	sRF C/ 1x1.1/4" (40)	39 - 40	46	58	50	168
61 1554 0148	sRF C/ 1x1.5/8" S (49)	48 - 49	58	72	25	213
61 1554 0158	sRF C/ 1x1.5/8" (52)	50 - 52	58	72	25	212
61 1554 1214	sRF C/ 1x2.1/4" (60)	59 - 60	70	83	25	250
61 1554 0062	sRF C/ 1x62	60 - 62	70	83	25	240
61 1554 0074	sRF C/ 1x3" (72)	72 - 74	80	94	25	330
61 1554 0076	sRF C/ 1x3" M (76)	74 - 76	80	94	25	330

RI	DATE	DR	DATE	AP	Description:	
02					Stainless cable clamps type sRF C For 1 coaxial cable, complete with 2 calibrated saddles. For articles see schedule.	
01						
00	29/01/16	G.S.	29/01/16	A.V.		
1 ST EMISSION						
						Use: Fastening of 1 coaxial cable. Hooking on section 40x22mm