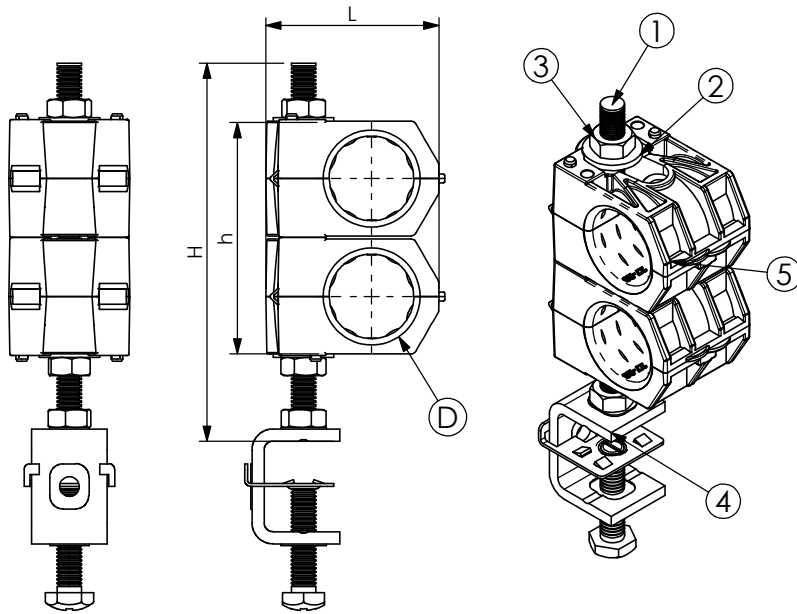


PRODUCT DATA SHEET



A) SPECIFICATIONS

- 1 Stainless steel threaded bar BFI M8
- 2 Stainless steel flat Washer RPI 8/16
- 3 Stainless steel hexagonal nut DAI 8
- 4 Stainless steel MIM 8 clamp
- 5 SAM Single saddle P.P. U.V. resistant

B) RESISTANCE TESTS

UV Test BS-ISO 105-B06
 Vibration test conforming to UNI 60068-2-6
 Operating temperature: -50°C +80°C

C) PACKAGING INFORMATION

Packing in boxes.
 Label indicating:
 product code, article, quantity,
 production batch,
 FIMO logo and figure.
 (Customer code on request).

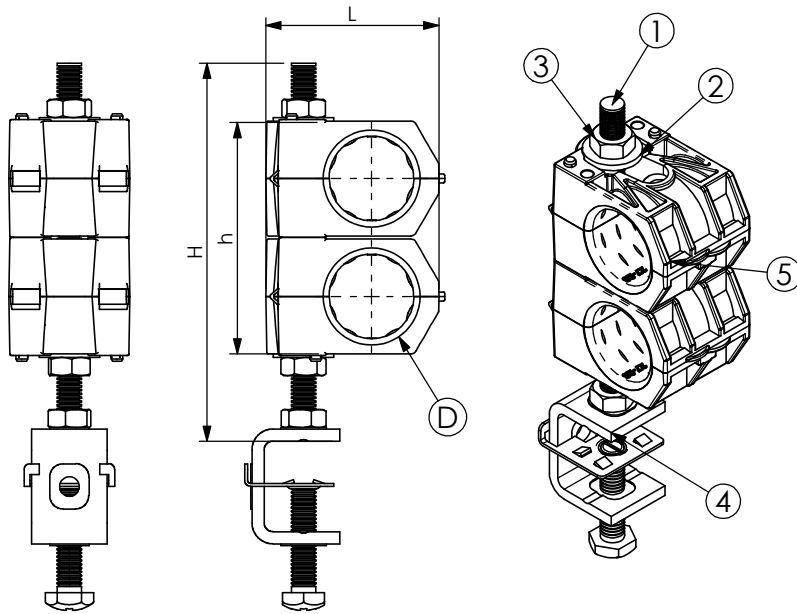
D) MOUNTING INSTRUCTIONS

On request

CODE	ARTICLE	∅ D	L	h	H	WEIGHT
61 1572 0211	USC/ 2x11	10 - 11	44	100	42	115
61 1572 0214	USC/ 2x1/2" S (14)	13 - 14	50	100	54	130
61 1572 0212	USC/ 2x1/2" (17)	16 - 17	50	100	54	130
61 1572 0278	USC/ 2x7/8" (28)	27 - 28	59	125	76	170
61 1572 2114	USC/ 2x1.1/4" (40)	39 - 40	70	200	108	200
61 1572 2158	USC/ 2x1.5/8" (52)	50 - 52	80	200	132	200

RI	DATE	DR	DATE	AP	Description:
02					Cable Clamps type USO +MIM 8/25
01					
00	06/10/15	G.S.	06/10/15	A.V.	
1 ST EMISSION					
					Use: Fixing of 2 cables on flat 3-25 and round ∅ 8-25.

PRODUCT DATA SHEET



A) SPECIFICATIONS

- 1 Stainless steel threaded bar BFI M8
- 2 Stainless steel flat Washer RPI 8/16
- 3 Stainless steel hexagonal nut DAI 8
- 4 Stainless steel MIM 8 clamp
- 5 SAM Single saddle Talc Reinforced P.P. U.V. resistant

B) RESISTANCE TESTS

UV Test BS-ISO 105-B06
 Vibration test conforming to UNI 60068-2-6
 Operating temperature: -50°C +80°C

C) PACKAGING INFORMATION

Packing in boxes (set of 60 cable clamps)
 Label indicating:
 product code, article, quantity,
 production batch,
 FIMO logo and figure.
 (Customer code on request).

D) MOUNTING INSTRUCTIONS

On request

CODE	ARTICLE	ø D	L	H	h	BAG	WEIGHT
611572 0211.60	USC/ 2x11	10 - 11	44	100	42	60	6900
611572 0214.60	USC/ 2x1/2" S (14)	13 - 14	50	100	54	60	7800
611572 0212.60	USC/ 2x1/2" (17)	16 - 17	50	100	54	60	7800
611572 0278.60	USC/ 2x7/8" (28)	27 - 28	59	125	76	60	10200
611572 2114.60	USC/ 2x1.1/4" (40)	39 - 40	70	200	108	60	12000
611572 2158.60	USC/ 2x1.5/8" (52)	50 - 52	80	200	132	60	12000

RI	DATE	DR	DATE	AP	Description:
02					Cable Clamps type USO +MIM 8/25
01					
00	06/10/15	G.S.	06/10/15	A.V.	
1 ST EMISSION					
					Use: Fixing of 2 cables on flat 3-25 and round ø 8-25.