

## Stream-lined Mobile Mount

### DESCRIPTION

- Mobile mount with a nice, "streamline"-look, which can be installed everywhere on the car in an 18 mm dia. hole.
- Especially suited for mounting on the narrow strip on rear wing between trunk lid and car side.
- M6 thread whip-mounting system.
- Very low requirements to installation depth both under and after installation.
- Designed for installation with access from the outside only.
- With access available from the inside, installation is possible in a 14 mm dia. hole.
- Bendable section in mount makes whip tilttable 30° by hand.
- Complete line of whips available for all communications bands up to 1300 MHz.
- Mounting body made of stainless steel !
- Choice between two connection principles:
  - X-mount: FME-connection (supplied without cable).
  - XP4-mount: Permanently attached 4 m cable terminated with FME-connector.



### ORDERING

Type	Product No.	Description
X-Mount	130000373	X-mount with FME-system
XP4-Mount	130000374	XP4-mount with 4 m cable and FME-connector
XP5-Mount	130000375	XP5-mount with 5 m cable and FME-connector
1 m FME(f) to FME(f) cable	130000437	
2 m FME(f) to FME(f) cable	130000447	
3 m FME(f) to FME(f) cable	130000457	
4 m FME(f) to FME(f) cable	130000466	
5 m FME(f) to FME(f) cable	130000474	
6 m FME(f) to FME(f) cable	130000483	
4 m FME(f) to FME(f) cable, white	110000064	
6 m FME(f) to FME(f) cable, white	110000066	
12 m FME(f) to FME(f) cable, white	110000068	
18 m FME(f) to FME(f) cable, white	110000069	
FME(f)-FME(f) Connector Adaptor	130000583	
FME(m)-P(m) (Prolongation) Connector Adaptor	130000565	
FME(m)-N(m) Connector Adaptor	130000571	
FME(m)-SMA(f) Connector Adaptor	130000578	
FME(m)-BNC(m) Connector Adaptor	130000566	
FME(m)-TNC(m) Connector Adaptor	130000569	
FME(m)-UHF(m) Connector Adaptor	130000572	
FME(m)-MiniUHF(m) Connector Adaptor	130000573	
FME(m)-MiniUHF(m)(Elbow) Connector Adaptor	130000582	
FME(m)-BNC(m)(Elbow) Connector Adaptor	130000580	
FME(m)-TNC(m)(Elbow) Connector Adaptor	130000581	
FME(m)-SMA(m) Connector Adaptor	130000577	

### SPECIFICATIONS

Electrical	
Frequency	0 - 1300 MHz
Application	Mount for mobile antennas
Mechanical	
Build-In Depth	Active : 30 mm Passive : 11 mm
Materials	Stainless steel Black chromed brass Cu-nite brass Environment-proof plastics
Installation Torque	4 +/- 1 Nm
Colour	Black
Dimensions	41.5 mm/27.5 mm
Whip Connection	M6 thread stud
Height	420 mm / 16.54 in.
Weight	X-version : Approx. 45 g XP4-version : Approx. 180 g
Mounting	18 mm dia. hole
Mounting Plate Thickness	Max. 2 mm

## ADDITIONAL DATA

## FME-SYSTEM ACCESSORIES

FME-CABLES TYPE	PRODUCT NO.
1 m FME(f)	130000437
2 m FME(f)	130000447
3 m FME(f)	130000457
4 m FME(f)	130000466
5 m FME(f)	130000474
6 m FME(f)	130000483
4 m FME-white(f)	110000064
6 m FME-white(f)	110000066
12 m FME-white(f)	110000068
18 m FME-white(f)	110000069

FME-CONNECTORS TYPE	PRODUCT NO.
FME(f)-FME(f)	130000583
FME(m)-P(m) (Prolongation)	130000565
FME(m)-N(m)	130000571
FME(m)-FSMA (Female-SMA)	130000578
FME(m)-BNC(m)	130000566
FME(m)-TNC(m)	130000569
FME(m)-UHF(m)	130000572
FME(m)-MUHF(m) (Mini-UHF)	130000573
FME(m)-EMUHF(m) (Elbow-MUHF)	130000582
FME(m)-EBNC(m) (Elbow-BNC)	130000580
FME(m)-ETNC(m) (Elbow-TNC)	130000581
FME(m)-SMA(m)	130000577

For further information about other types of FME-cables and FME-connectors, please compare the cable and connector data sheets under accessories in our catalogue.

## INSTALLATION

X-mount antenna types can be mounted anywhere on the car, however, roof top mounting is always recommended.

The X-mount is able to be mounted on the often very narrow strip on the rear wing between the trunk lid and the side of the car.

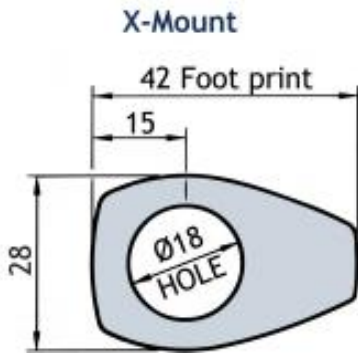
Mounting can take place exclusively with access from the outside when drilling an 18 mm dia. hole. Mounting can take place from the inside by drilling a 14 mm dia. hole, in which case the bottom plastic ring of the packing gasket should be removed with a sharp cutter.

A good contact surface on the inside of the car body must always be ensured, thus enabling the base plate to get in direct contact with the metal parts of the car, which is of utmost importance for proper performance of the antenna.

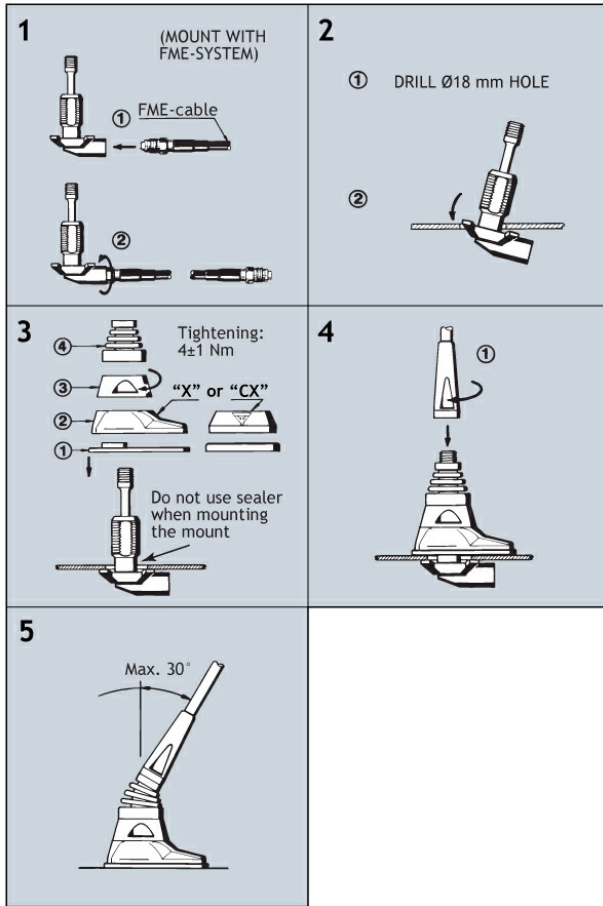
When cleaning the car in car-washing machines, the whip is easily removed using a fork spanner. The whip is refitted again by screwing it onto the thread stud and tightening it lightly with the spanner.

As the X-mount is internally equipped with a bendable section, the antennas can always be adjusted to an upright position independent of the tilt angle of the installation spot (up to 30° tilt).

## 1. INSTALLATION DIMENSIONS

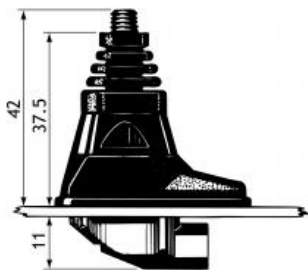


2. INSTALLATION STEPS

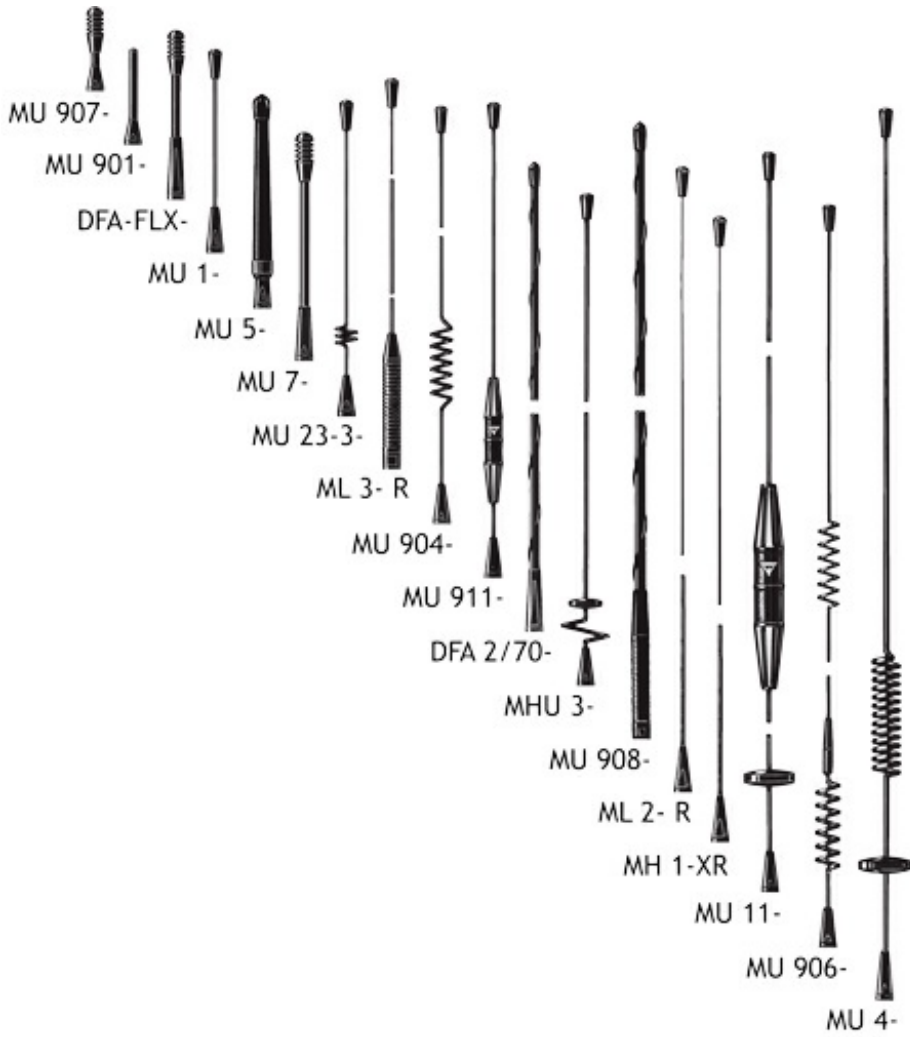


Do not use sealer on rubber gasket or other places.

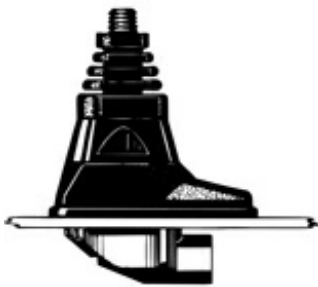
DIMENSIONS



A SELECTION OF THE VARIOUS WHIPS WHICH CAN BE CONNECTED TO THE X-MOUNT



X-Mount



XP4, XP5-Mount

