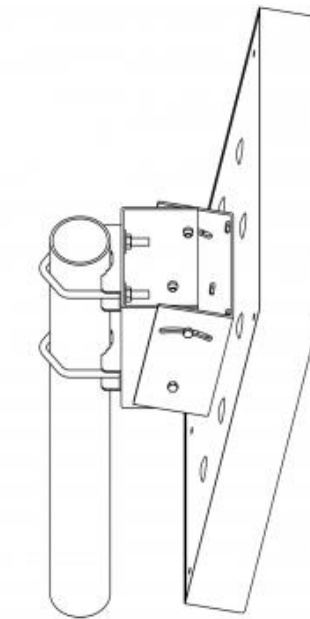


## Mast mounting bracket for vertical or horizontal supporting mast tube

### DESCRIPTION

- Using the PATCH-MAMO mast mounting bracket, PCPO xH/TETRA/... and PLPO xH/TETRA/... can be mounted on any kind of vertical or horizontal supporting mast tube as long as the outer diameter of the tube is within 40 - 55 mm.
- The PATCH-MAMO is a lightweight mounting bracket made of non-corrosive aluminium.
- The accompanying U-bolts and nuts are made of stainless steel.



### ORDERING

Model	Product No.
PATCH-MAMO	100000447

### SPECIFICATIONS

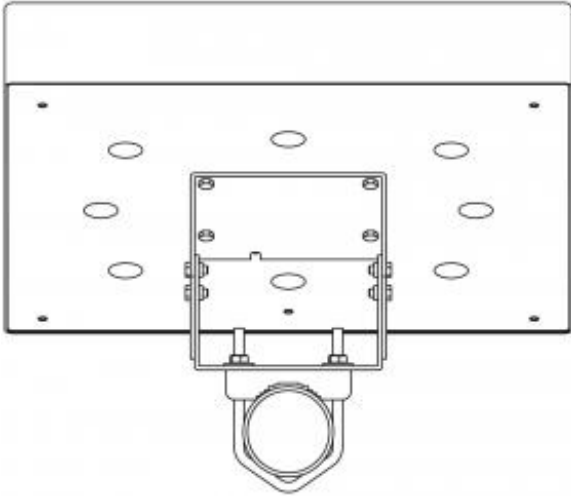
Electrical	
Application	Clamp for mounting on vertical or horizontal mast tubes with 40 - 55 mm diameter
Mechanical	
Colour	Metallic Silver
Weight	0.558 kg / 1.23 lb
Mounting	On 45 - 65 mm dia. mast tube

ADDITIONAL DATA

MOUNTING

Tilt adjustable from +5°/-30°.

TOP VIEW



Mounting via U-bolts.

□

HORIZONTAL MOUNTING

