

# SENCITY® SC Panel Antennas



- Keep away from catenary and high voltage lines.
- Be careful when working at height!
- Always secure ladders!
- Always tighten screws!
- Work may only be carried out by qualified personnel.



- Avoid bringing the cover of the antenna into contact with acetone, isopropanol, gasoline or oil.



- **Caution! ESD (electrostatic discharge) sensitive device.** Always ground yourself while handling the RET device.

For more information, see the Security Instruction for this product on the HUBER+SUHNER website.

## Tools Required

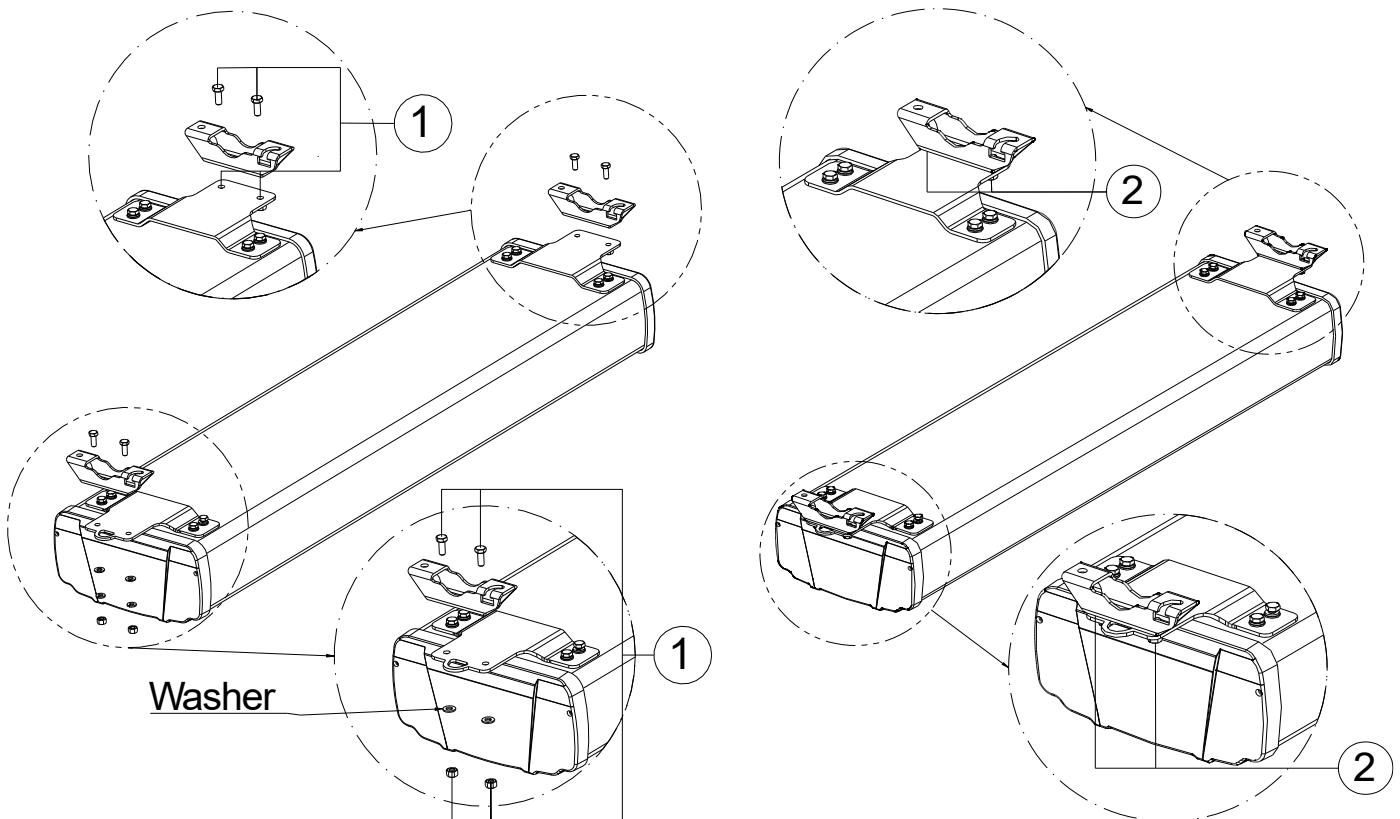
- Torque wrench for fastening clamp and mechanical down tilt components.
- Inclinometer for setting the mechanical down tilt angle.
- ESD grounding strap and safety gloves for safe handling.

## Mounting Preparations

- Please follow the mounting steps to either install the antenna with or without mechanical down tilt bracket.
- Clamps and down tilt brackets are given for reference on the antenna datasheet.
- Only use these accessories which are listed under related products on the datasheet.

## Antenna Installation Without Down tilt

- Preparation:



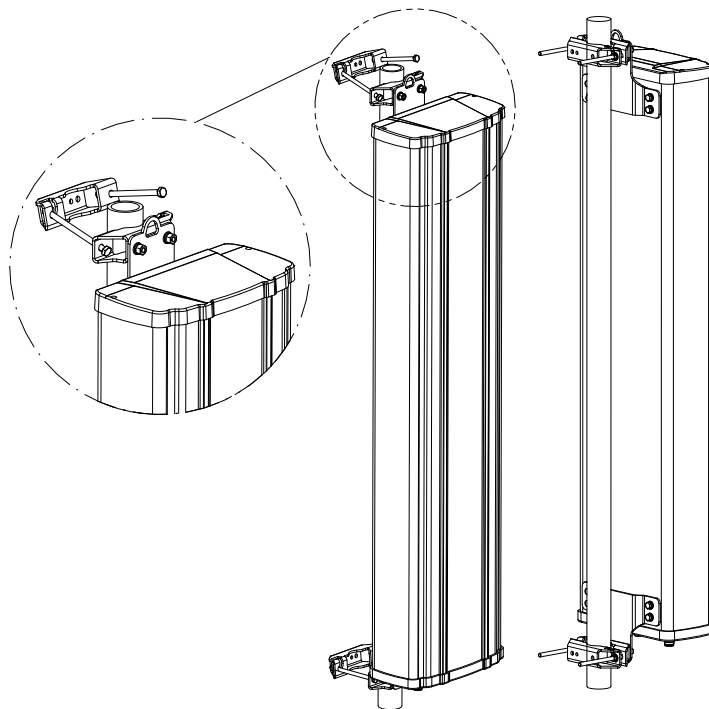
### Step 1:

- Position the clamps so they can be attached to the antenna brackets.
- Place the washers as shown.

### Step 2:

- Securely fasten the clamp kit using the bolt and nut.

# SENCITY® SC Panel Antennas

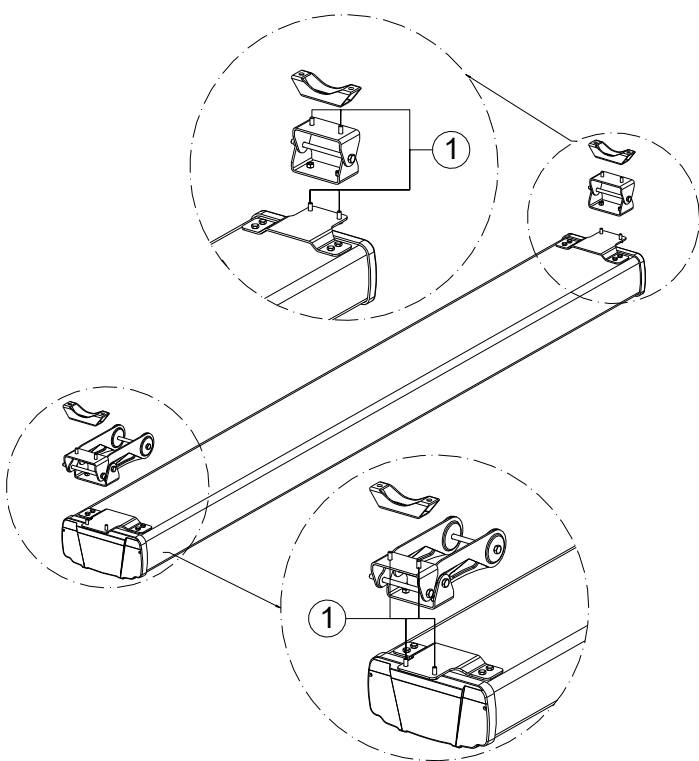


**Step 3:**

- Position the antenna on the pole and securely fasten the clamp kit using the bolt and nut.
- Fix the antenna cable to the mast at a maximum distance of 1 m (approx.) from the antenna port to prevent any force on the connector.

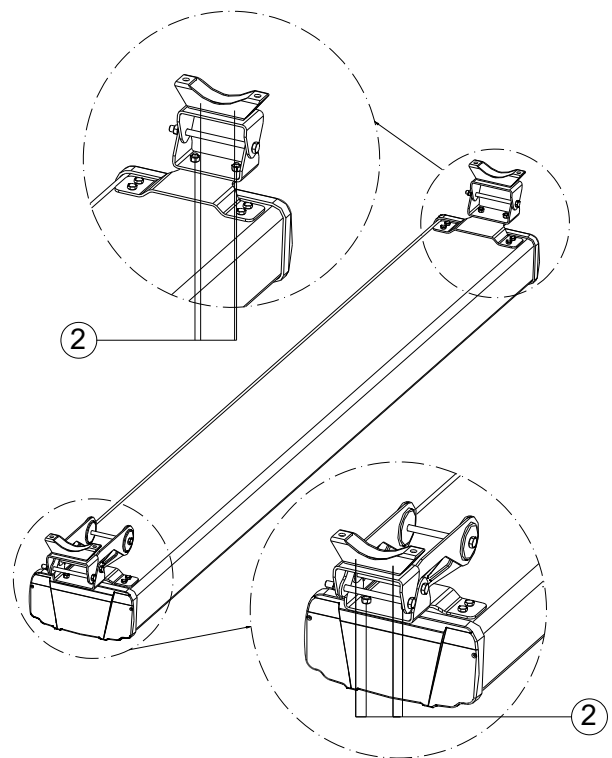
## Antenna Installation With Down tilt

- Preparation:



**Step 1:**

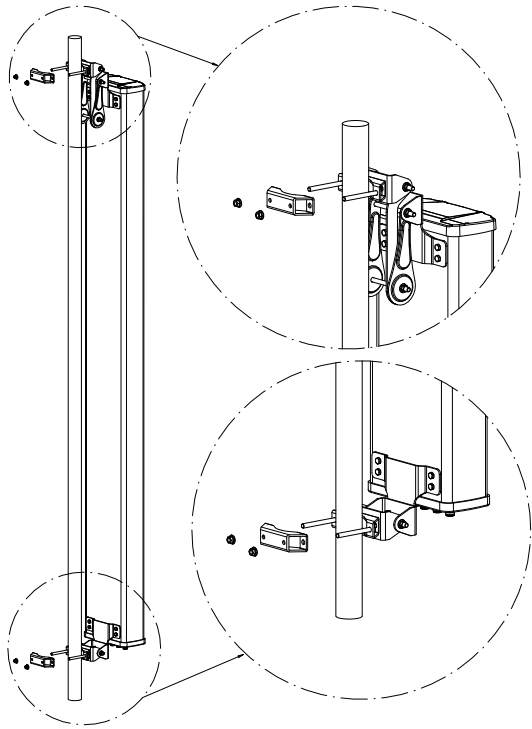
- Position the clamp and down tilt kit so they can be attached to the antenna brackets



**Step 2:**

- Securely fasten the clamp kit using the bolt and nut.

# SENCITY® SC Panel Antennas

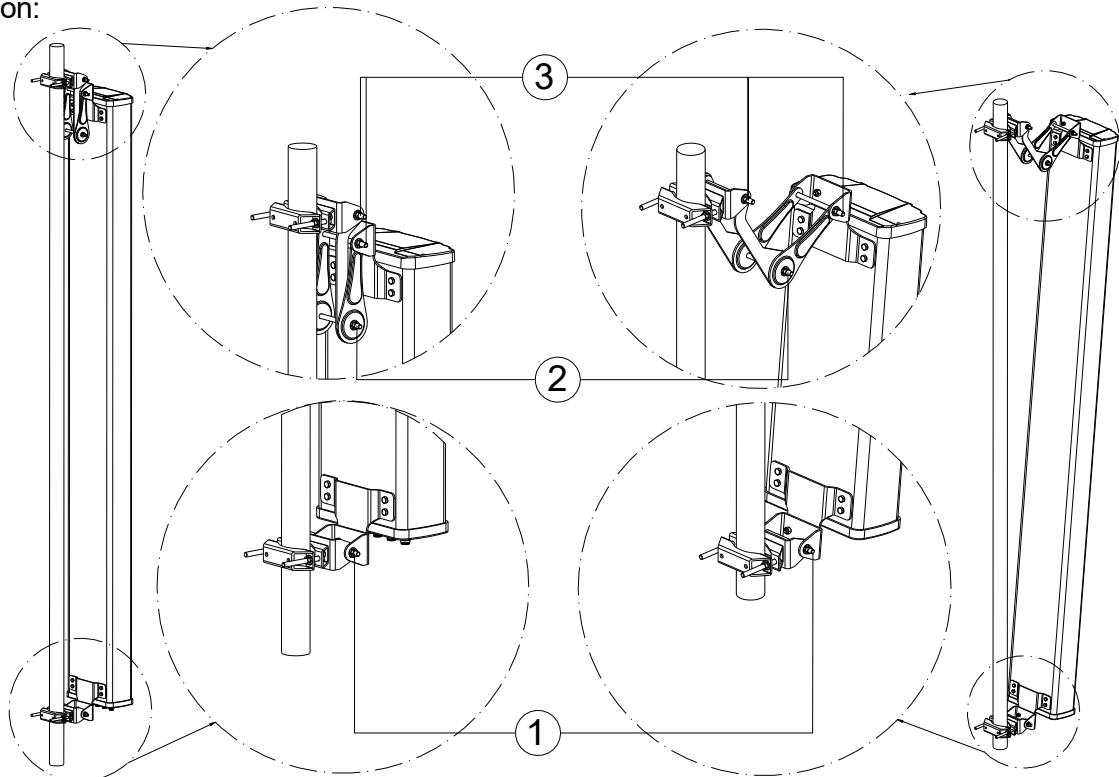


**Step 3:**

- Position the antenna on the pole and securely fasten the clamp & down tilt kit using the bolt and nut.
- Fix the antenna cable to the mast at a maximum distance of 1 m (approx.) from the antenna port to prevent any force on the connector.

## Setting of Mechanical Down tilt

- Preparation:



**Steps:**

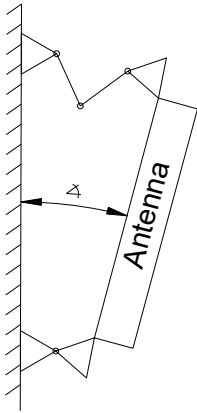
- Release the nuts in sequence: 1 → 2 → 3
- Adjust the antenna to the desired angle and refer to the table for the appropriate required length setting.
- Fasten the nuts in sequence: 3 → 2 → 1

## SENCITY® SC Panel Antennas

---

### Angle adjustment of Mechanical Down tilt

---



- Set the desired down tilt angle by e.g. using an inclinometer while holding it to the front of antenna.

---

### Notice

- Do not force down-tilt while the bolt is tight - sealant and bottom cover can be broken.
- The metal parts of the antenna including the mounting kit and the inner conductors are DC grounded.

HUBER+SUHNER is certified according to ISO 9001 and ISO 14001. This product can be returned to HUBER+SUHNER for recycling at the end of its useful life. Please contact your local agent.

**WAIVER!**

It is exclusively in written agreements that we provide our customers with warrants and representations as to the technical specifications and/or the fitness for any particular purpose. The facts and figures herein are carefully compiled to the best of our knowledge, but they are intended for general informational purposes only.

HUBER+SUHNER AG  
Degersheimerstrasse 14  
9100 Herisau  
Switzerland

Phone +41 71 353 41 11

[www.hubersuhner.com](http://www.hubersuhner.com)

DOC-0001383634