

## Radiating Cable Connector 11\_4310\_78

### Description

4.3-10 male connector for 7/8" radiating cable

### Technical Data

#### Construction

	Material	Detail	Plating
Body	Brass		SUCOPLATE or similar
Insulator	PTFE		-
Centre conductor	Beryllium bronze, phosphor bronze		Ag
Other	Brass		Ni

#### Electrical Data

Interface	According to IEC 61169-54		
Impedance	50	Ω	
Frequency range	3.8	GHz	
VSWR	≤ 1.08	DC to 3.8 GHz	
Insertion loss	≤ 0.15	dB	
3rd order Intermodulation @2x20W	≤ -155	dBc	
Dielectric withstanding voltage	≥ 2500	Vrms, 50Hz at sea level	
Insulation resistance	≥ 5	GΩ	
Contact resistance			
Centre contact	≤ 1.0	mΩ	
Outer contact	≤ 1.0	mΩ	

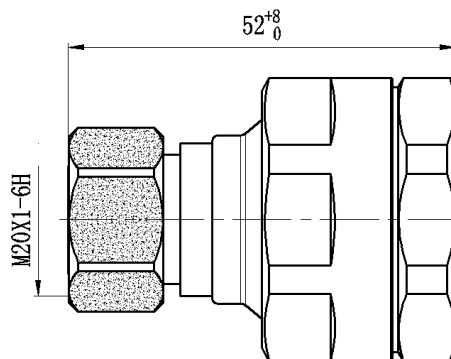
#### Mechanical Data

Durability	≥ 100	mating cycles
------------	-------	---------------

#### Environmental Data

Temperature range	- 40 °C ... + 85 °C
Water proof	IP67
2011/65/EU (RoHS – including 2015/863 and 2017/2102)	Compliant
1907/2006/EC (REACH)	Compliant

#### Outline dimension (mm)



#### Waiver

It is exclusively in written agreements that we provide our customers with warrants and representations as to the technical specifications and/or the fitness for any particular purpose. The facts and figures contained herein are carefully compiled to the best of our knowledge, but they are intended for general informational purposes only.

## Radiating Cable Connector 11\_4310\_78

### Additional Information

---

#### Ordering Information

Order as

Item no.	HUBER+SUHNER Type no.	Description
	11_4310_78	4.3-10 male connector for 7/8" radiating cable

#### Remarks

(For details refer to the HUBER+SUHNER RF CABLES GENERAL CATALOGUE or contact your nearest HUBER+SUHNER partner)

#### Suitable Radiating Cables

Item no.	HUBER+SUHNER Type no.
85150850	SUCORAD_7/8_LM_FR
85150846	SUCORAD_7/8_MH_FR

#### Waiver

It is exclusively in written agreements that we provide our customers with warrants and representations as to the technical specifications and/or the fitness for any particular purpose. The facts and figures contained herein are carefully compiled to the best of our knowledge, but they are intended for general informational purposes only.