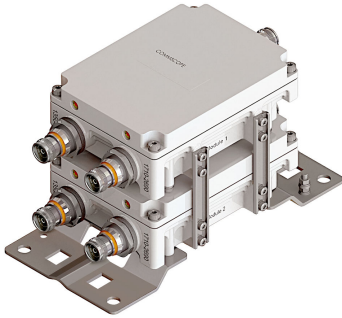


# E14F05P59

---



Twin 2-pak Diplexer, 380–960 MHz/1425–2690 MHz, DC SMART bypass all, with 4.3-10 connectors

- Industry leading PIM performance
- New 4.3-10 connectors for improved PIM performance and size reduction
- Minimal Insertion Loss
- Ultra-wideband low-band combiner
- Ultra-wideband high-band combiner
- DC/AISG SMART bypass functionality

## Product Classification

**Product Type** Diplexer

## General Specifications

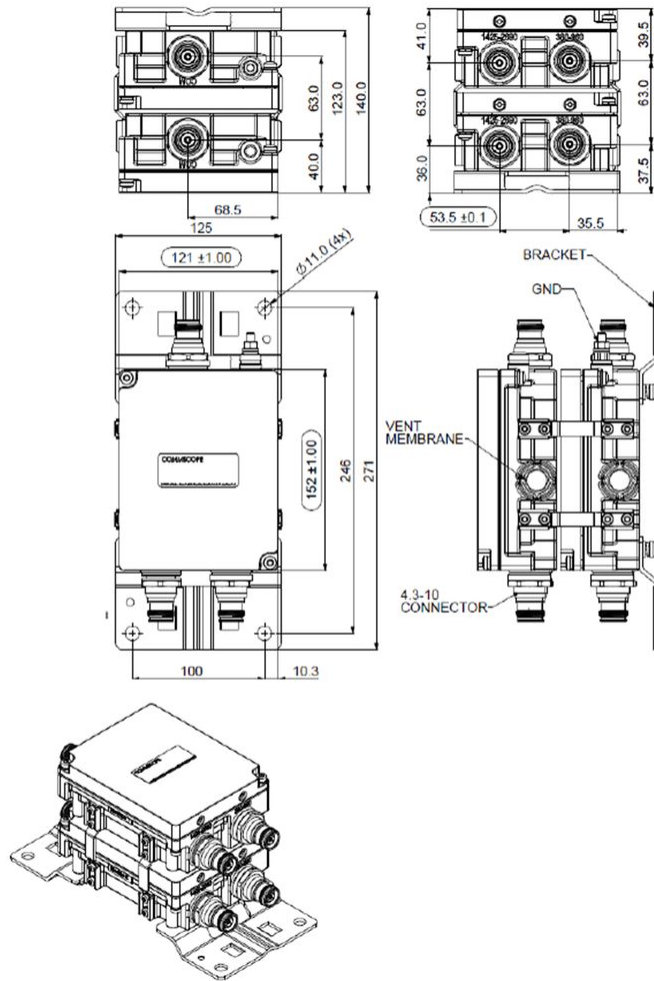
**Product Family** CBC426  
**Color** Gray  
**Common Port Label** ANT  
**Modularity** 2-Twin  
**Mounting** Pole | Wall  
**Mounting Pipe Hardware** Band clamps (2)  
**RF Connector Interface** 4.3-10 Female  
**RF Connector Interface Body Style** Long neck

## Dimensions

**Height** 200 mm | 7.874 in  
**Width** 111 mm | 4.37 in  
**Depth** 104 mm | 4.094 in  
**Ground Screw Diameter** 5 mm | 0.197 in  
**Mounting Pipe Diameter Range** 40–160 mm

# E14F05P59

## Outline Drawing



## Electrical Specifications

### Impedance

50 ohm

### License Band, Band Pass

APT 700 | AWS 1700 | CEL 850 | CEL 900 | DCS 1800 | EDD 800 | IMT 2100 | IMT 2600 | LMR 750 | LMR 800 | LMR 900 | PCS 1900 | SDL 1400 | TDD 2300 | TDD 2600 | USA 700 | USA 750 | WCS 2300

### License Band, LNA

PDC 1500

## Electrical Specifications, dc Power/Alarm

### dc/AISG Pass-through Method

Auto sensing

### dc/AISG Pass-through Path

Auto sensing circuitry detects dc/AISG signal presence and selects path

### dc/AISG Pass-through, combiner

dc Smart Bypass

# E14F05P59

---

<b>dc/AISG Pass-through, demultiplexer</b>	dc Smart Bypass
<b>Lightning Surge Current</b>	10 kA
<b>Lightning Surge Current Waveform</b>	8/20 waveform

## Electrical Specifications, AISG

<b>AISG Carrier</b>	2176 KHz $\pm$ 100 ppm
<b>Insertion Loss, maximum</b>	0.5 dB
<b>Return Loss, minimum</b>	15 dB

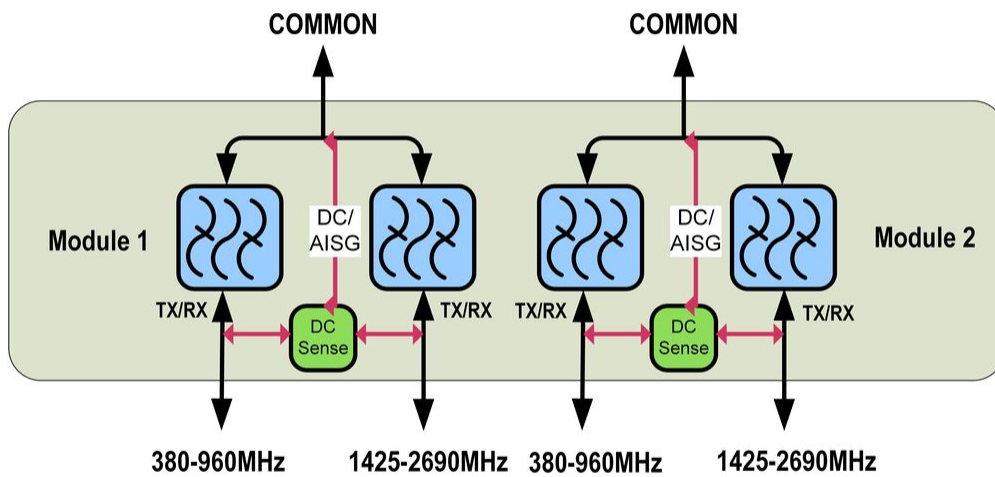
## Electrical Specifications

<b>Sub-module</b>	<b>1   2</b>	<b>1   2</b>
<b>Branch</b>	1	2
<b>Port Designation</b>	PORT 1 380-960	PORT 2 1425-2690
<b>License Band</b>	[1, 4, 5, 7, 10, 11, 12, 15, 16]	[2, 6, 8, 9, 13, 20, 21, 17, 14, 27]

## Electrical Specifications, Band Pass

<b>Frequency Range, MHz</b>	<b>380–960</b>	<b>1425–2690</b>
<b>Insertion Loss, typical, dB</b>	0.1	0.1
<b>Total Group Delay, maximum, ns</b>	10	10
<b>Return Loss, minimum, dB</b>	20	20
<b>Return Loss, typical, dB</b>	23	23
<b>Isolation, minimum, dB</b>	50	50
<b>Input Power, RMS, maximum, W</b>	500	500
<b>Input Power, PEP, maximum, W</b>	5000	5000
<b>3rd Order PIM, typical, dBc</b>	-163	-163
<b>3rd Order PIM Test Method</b>	2 x 20 W CW tones	Two +43 dBm carriers

## Block Diagram



## Environmental Specifications

<b>Operating Temperature</b>	-40 °C to +65 °C (-40 °F to +149 °F)
<b>Relative Humidity</b>	5%–100%
<b>Corrosion Test Method</b>	IEC 60068-2-11, 30 days
<b>Ingress Protection Test Method</b>	IEC 60529:2001, IP67

## Packaging and Weights

<b>Included</b>	Mounting hardware
<b>Volume</b>	2.3 L
<b>Weight, net</b>	3.8 kg   8.378 lb

## Regulatory Compliance/Certifications

# E14F05P59

---

**Agency**

ISO 9001:2015

**Classification**

Designed, manufactured and/or distributed under this quality management system