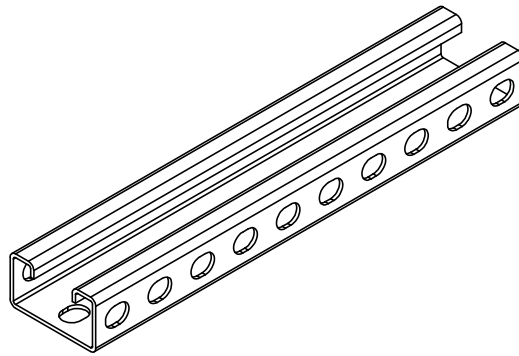
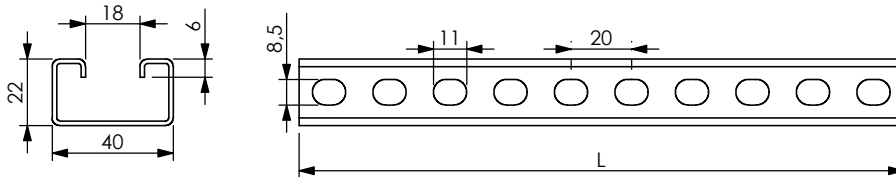


# PRODUCT DATA SHEET



## SPECIFICATIONS

Stainless steel



CODE	ARTICLE	L	DESCRIPTION	BOX	WEIGHT
61 4022 5100	PCI 100 B	100	5 holes 8.5x11	20	94
61 4022 5140	PCI 140 B	140	7 holes 8.5x11	20	138
61 4022 5180	PCI 180 B	180	9 holes 8.5x11	20	169
61 4022 5220	PCI 220 B	220	11 holes 8.5x11	20	215
61 4022 5300	PCI 300 B	300	15 holes 8.5x11	20	292
61 4022 5400	PCI 400 B	400	20 holes 8.5x11	20	394
61 4022 5500	PCI 500 B	500	25 holes 8.5x11	20	522
61 4022 5600	PCI 600 B	600	30 holes 8.5x11	20	612
61 4022 5015	PCI 1500 B	1500	75 holes 8.5x11	-	1600
61 4022 3002	PCI 3000 B	3000	150 holes 8.5x11	-	3200

RI	DATE	DR	DATE	AP	Description:          <b>PCI - Punched cut down size section</b>
02					
01					
00	31/08/16	G.S.	31/08/16	A.V.	
1 <sup>ST</sup> EMISSION					