

technical data:

microphone:

directivity:

frequency range:

sensitivity:

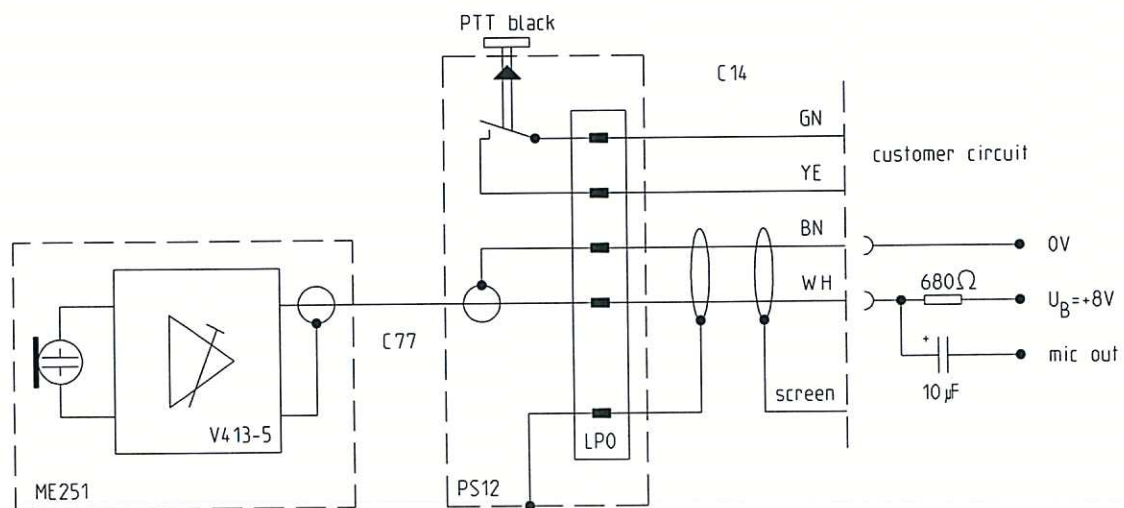
($U_B = 8\text{ V}$; $R_A = 680\ \Omega$ $f = 1\text{ kHz}$)

electret + amplifier

cardioid

300 Hz to 8 kHz at -10dB

150 mV/Pa (-16,5 dBV/Pa $\pm 3\text{ dB}$; Poti min.)



a Gehäuseanpassung / housing adjustment		22.08.19	Beckmann
Aenderung/modification		Datum/date	Name
Pruefmaß/check gauge		Material: -	
Oberflaeche/surface:		Tolerances ISO 8015 Edges DIN ISO 13715	
Gewicht/weight:	Maßstab/scale:	Benennung/title:	
Wkz.nr./tool-no.	1:1	PS12/1T-1xN0/ME251/V413-5/ Sh. 8x300/C6014-3	
Methode 1	ISO 128-30	CAD-data: -	
All rights reserved ISO 16016		Artikelnummer/product number:	
Format/ sheet size: A3		6401-126-000-41	
PEI TEL			