

Ultra Compact 150 MHz Tx/Rx Combiner System 3-channel 2 HU 19" single tray

DESCRIPTION

- An integrated single tray combining solution housing a 3-channel hybrid Tx hybrid combiner, duplex filter, active 3-channel Rx multicouplers and preselector.
 - Minimal 19" rack space required - only 2 HU.
 - Built-in power supply 115/230 VAC.
 - Compatible with digital 6.25 kHz channel spacing.
 - Single Tx isolators fitted as standard.
 - Please specify all Tx/Rx frequencies when ordering.
- Please Note:
Power cable is not included, must be ordered separately, see Accessories.

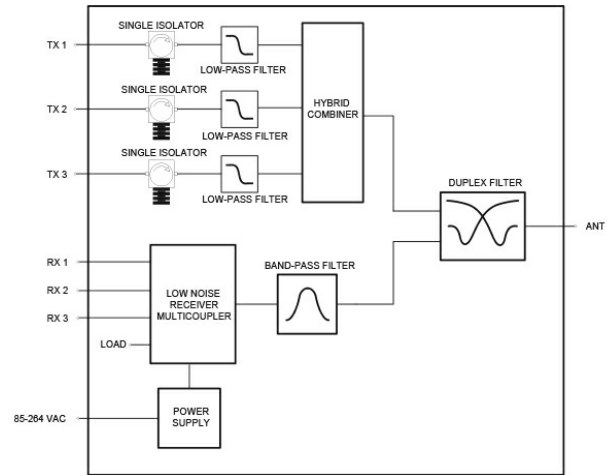


SPECIFICATIONS

Electrical	
Model	PRO-HDAR150-3 ...
Frequency	l : 136 - 156 MHz h : 152 - 175 MHz
Max. Input Power	50 W (per channel)
Max. Tx-Tx Spacing, Δ Tx	1.5 MHz
Min. Tx-Rx Spacing	4 MHz
Isolation Rx on Frequency Tx	Tx - Tx spacing < 0.5 MHz : > 80 dB Tx - Tx spacing > 0.5 MHz : > 60 dB
Insertion Loss Tx Path	< 7.0 dB
Impedance	50 Ω
Ant-Tx Isolation	> 40 dB @ 25 °C
Gain	Rx PATH : 1 dB ±1 dB (factory set)
Isolation Rx-Rx	> 20 dB
Isolation Tx-Tx	> 70 dB
VSWR	≤ 1.5:1
Isolation Tx on Frequency Rx	Rx - Rx spacing < 0.5 MHz : > 80 dB Rx - Rx spacing > 0.5 MHz : > 60 dB
LNA Noise Figure	< 3.5 dB
No. of channels	3
Power Supply	
Voltage	85 - 264 VAC
Frequency	47 - 63 Hz
AC current (typ.)	0.35 A / 115 VAC 0.25 A / 230 VAC

Mechanical	
Connection(s)	N(f)
Dimensions	19" x 2 HU 483 x 89.9 mm 19.02 x 3.54 in. - see drawing for depth of tray
Weight	Approx. 9.7 kg / 21.38 lb.
Environmental	
Operating Temperature Range	-30 °C to +60 °C

BLOCK DIAGRAM



ORDERING DESIGNATIONS

CONTACT FOR SYSTEM-SPECIFIC PRODUCT NO.

Use the guide below to make the name of the PRO-HDAR150-3 you would like to buy. Remember to buy the Power Adaptor separately if needed.

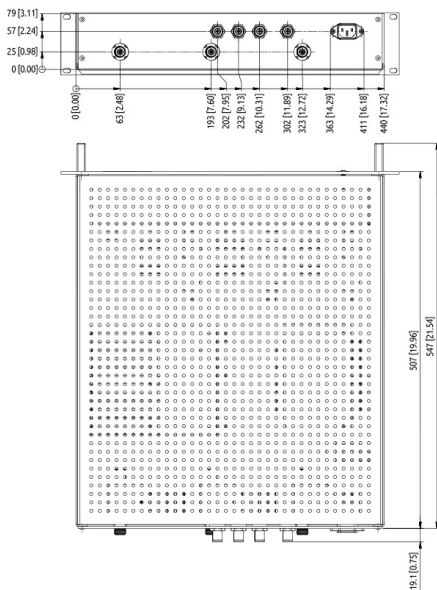
Model	Combiner Freq. Band	Duplex filter Bandwidth (BW) and Tx/Rx Spacing	Hybrid Tx frequencies
PRO-HDAR150-3	Low : 138 - 156 MHz = L High : 152 - 175 MHz = H	1.5-4/6-1.5 * 1.5-6/8-1.5 1.5-8/10-1.5 * Max. Low BW: 1.5 MHz- Tx/Rx spacing: 4 to 6 MHz - Max. High BW: 1.5 MHz = 1.5-4 / 6-1.5	130 - 142 MHz = 1 138 - 150 MHz = 2 146 - 158 MHz = 3 154 - 166 MHz = 4 162 - 174 MHz = 5 170 - 182 MHz = 6
Naming Example			
PRO-HDAR150-3	H	/1.5-4/6-1.5/	3

Naming Example: PRO-HDAR150-3 H/1.5-4/6-1.5/3

ACCESSORIES

Model	Product No.
Power Cable EU , with Ground	210002646
Power Cable UK , with Ground	210002647
Power Cable US , with Ground	210002648

MOUNTING DETAILS



All dimensions are given in mm [in.]

EU AND UK DECLARATION OF CONFORMITY

Hereby Amphenol Procom declare that the product type PRO-HDAR150-3 is in compliance with EU Directive 2014/53/EU und die UK Radio Equipment Regulations 2017 (S.I. 2017 N^o 1206).

The full text of the Declaration of Conformity is available at:

<https://amphenolprocom.com/images/images/shop/catalog/pdf-for-catalogues/Declaration-of-Conformity-PRO-HDAR-2HU.pdf>