

# CA-TNFDM

---



## Type N Female to 7-16 DIN Male Adapter

### Product Classification

<b>Product Type</b>	Adapter
<b>Ordering Note</b>	CommScope® standard product in Europe, the Middle East, and Africa

### General Specifications

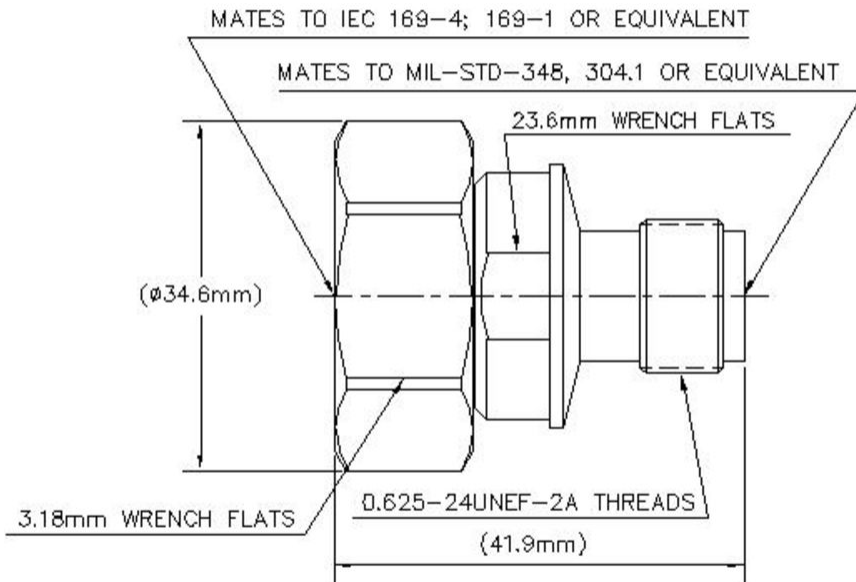
<b>Body Style</b>	Straight
<b>Inner Contact Plating</b>	Silver
<b>Interface</b>	N Female
<b>Interface 2</b>	7-16 DIN Male
<b>Mounting Angle</b>	Straight
<b>Outer Contact Plating</b>	Trimetal
<b>Pressurizable</b>	No

### Dimensions

<b>Width</b>	22.35 mm   0.88 in
<b>Length</b>	47.23 mm   1.859 in
<b>Diameter</b>	22.35 mm   0.88 in

### Outline Drawing

# CA-TNFDM



## Electrical Specifications

<b>3rd Order IMD at Frequency</b>	116 dBm @ 1800 MHz
<b>3rd Order IMD Test Method</b>	Two +43 dBm carriers
<b>Attenuation, Ambient Temperature</b>	20 °C   68 °F
<b>Average Power at Frequency</b>	600.0 W @ 900 MHz
<b>Connector Impedance</b>	50 ohm
<b>dc Test Voltage</b>	2500 V
<b>Inner Contact Resistance, maximum</b>	1.5 mOhm
<b>Insulation Resistance, minimum</b>	5000 MOhm
<b>Operating Frequency Band</b>	0 – 6000 MHz
<b>Outer Contact Resistance, maximum</b>	0.4 mOhm
<b>Peak Power, maximum</b>	10 kW

# CA-TNFDM

---

**RF Operating Voltage, maximum (vrms)** 707 V

## VSWR/Return Loss

Frequency Band	VSWR	Return Loss (dB)
0–3000 MHz	1.06	32
3000–6000 MHz	1.14	24

## Mechanical Specifications

<b>Coupling Nut Proof Torque</b>	35 N-m   309.776 in lb
<b>Coupling Nut Proof Torque Method</b>	IEC 61169-4:17
<b>Coupling Nut Retention Force</b>	800 N   179.847 lbf
<b>Coupling Nut Retention Force Method</b>	IEC 61169-4:15.2.6
<b>Insertion Force</b>	200 N   44.962 lbf
<b>Insertion Force Method</b>	IEC 61169-16:9.3.5
<b>Interface Durability</b>	500 cycles
<b>Interface Durability Method</b>	IEC 61169-16:9.5   IEC 61169-4:17
<b>Mechanical Shock Test Method</b>	IEC 60068-2-27

## Environmental Specifications

<b>Operating Temperature</b>	-55 °C to +85 °C (-67 °F to +185 °F)
<b>Storage Temperature</b>	-65 °C to +125 °C (-85 °F to +257 °F)
<b>Average Power, Ambient Temperature</b>	40 °C   104 °F
<b>Average Power, Inner Conductor Temperature</b>	100 °C   212 °F
<b>Climatic Sequence Test Method</b>	IEC 60068-1
<b>Corrosion Test Method</b>	IEC 60068-2-11
<b>Damp Heat Steady State Test Method</b>	IEC 60068-2-3
<b>Immersion Depth</b>	1 m
<b>Immersion Test Mating</b>	Mated
<b>Immersion Test Method</b>	IEC 60529:2001, IP68
<b>Thermal Shock Test Method</b>	IEC 60068-2-14
<b>Vibration Test Method</b>	IEC 60068-2-6

## Packaging and Weights

**Weight, net** 122 g | 0.269 lb

# CA-TNFDM

---

## Regulatory Compliance/Certifications

### Agency

CHINA-ROHS

ISO 9001:2015

REACH-SVHC

ROHS



### Classification

Below maximum concentration value

Designed, manufactured and/or distributed under this quality management system

Compliant as per SVHC revision on [www.commscope.com/ProductCompliance](http://www.commscope.com/ProductCompliance)

Compliant

## \* Footnotes

### Immersion Depth

Immersion at specified depth for 24 hours