

TA-HFHR

4.3-10 Male to 4.3-10 Female Right Angle Adapter



Product Classification

Product Type Adapter

General Specifications

Body Style Right angle

Inner Contact Plating Silver

Interface 4.3-10 Male

Interface 2 4.3-10 Female

Mounting Angle Right angle

Outer Contact Plating Trimetal

Pressurizable No

Dimensions

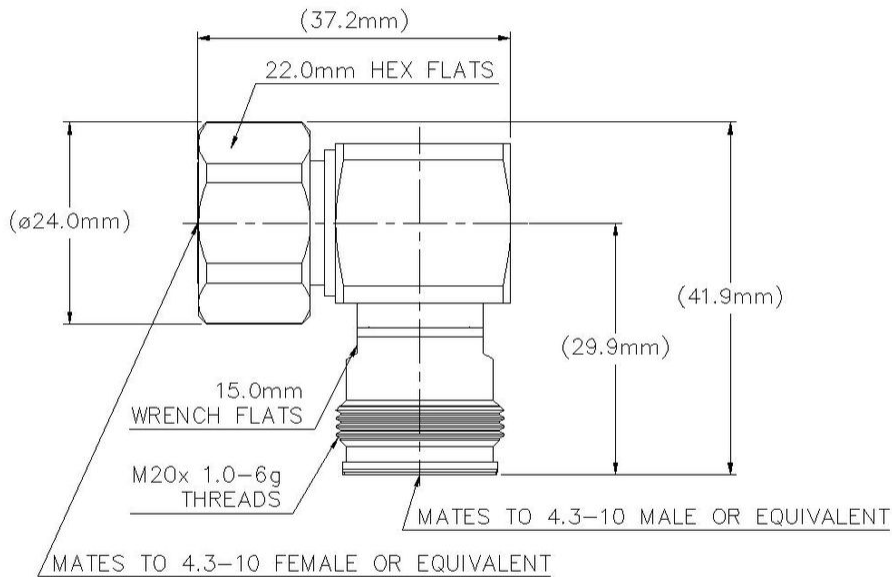
Width 37.14 mm | 1.462 in

Length 41.84 mm | 1.647 in

Diameter 24 mm | 0.945 in

Outline Drawing

TA-HFHR



Electrical Specifications

| | |
|--|----------------------|
| 3rd Order IMD at Frequency | -123 dBm @ 1900 MHz |
| 3rd Order IMD Test Method | Two +43 dBm carriers |
| Attenuation, Ambient Temperature | 20 °C 68 °F |
| Average Power at Frequency | 600.0 W @ 900 MHz |
| Connector Impedance | 50 ohm |
| dc Test Voltage | 2500 V |
| Inner Contact Resistance, maximum | 0.8 mOhm |
| Insulation Resistance, minimum | 5000 MOhm |
| Operating Frequency Band | 0 – 6000 MHz |
| Outer Contact Resistance, maximum | 1.5 mOhm |
| Peak Power, maximum | 15 kW |

TA-HFHR

VSWR/Return Loss

| Frequency Band | VSWR | Return Loss (dB) |
|----------------|------|------------------|
| 0–3000 MHz | 1.07 | 30 |
| 3000–6000 MHz | 1.16 | 23 |

Mechanical Specifications

| | |
|-------------------------------------|-----------------------|
| Coupling Nut Proof Torque | 10 N-m 88.507 in lb |
| Coupling Nut Retention Force | 449.27 N 101 lbf |
| Interface Durability | 100 cycles |
| Interface Durability Method | IEC 61169-4:9.5 |
| Mechanical Shock Test Method | IEC 60068-2-27 |

Environmental Specifications

| | |
|---|---------------------------------------|
| Operating Temperature | -55 °C to +85 °C (-67 °F to +185 °F) |
| Storage Temperature | -65 °C to +125 °C (-85 °F to +257 °F) |
| Average Power, Ambient Temperature | 40 °C 104 °F |
| Average Power, Inner Conductor Temperature | 100 °C 212 °F |
| Climatic Sequence Test Method | IEC 60068-1 |
| Corrosion Test Method | IEC 60068-2-11 |
| Damp Heat Steady State Test Method | IEC 60068-2-3 |
| Immersion Depth | 1 m |
| Immersion Test Mating | Mated |
| Immersion Test Method | IEC 60529:2001, IP68 |
| Thermal Shock Test Method | IEC 60068-2-14 |
| Vibration Test Method | IEC 60068-2-6 |

Packaging and Weights

| | |
|--------------------|--------------------|
| Weight, net | 90.38 g 0.199 lb |
|--------------------|--------------------|

Regulatory Compliance/Certifications

| Agency | Classification |
|---------------|--|
| CHINA-ROHS | Below maximum concentration value |
| ISO 9001:2015 | Designed, manufactured and/or distributed under this quality management system |

TA-HFHR

REACH-SVHC

Compliant as per SVHC revision on www.commscope.com/ProductCompliance

ROHS

Compliant



* Footnotes

Immersion Depth

Immersion at specified depth for 24 hours