

# TA-DFHM

---



7-16 DIN Female to 4.3-10 Male Low-PIM Adapter

## Product Classification

**Product Type** Adapter

## General Specifications

**Body Style** Straight

**Inner Contact Plating** Silver

**Interface** 7-16 DIN Female

**Interface 2** 4.3-10 Male

**Mounting Angle** Straight

**Outer Contact Plating** Trimetal

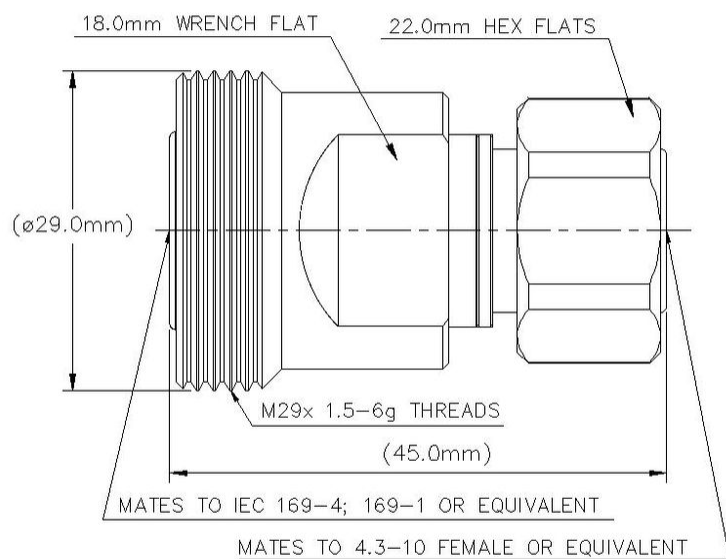
## Dimensions

**Length** 45 mm | 1.772 in

**Diameter** 28.96 mm | 1.14 in

## Outline Drawing

# TA-DFHM



## Electrical Specifications

<b>3rd Order IMD at Frequency</b>	-163 dBc @ 1800 MHz
<b>3rd Order IMD Test Method</b>	Two +43 dBm carriers
<b>Attenuation, Ambient Temperature</b>	20 °C   68 °F
<b>Connector Impedance</b>	50 ohm
<b>dc Test Voltage</b>	2500 V
<b>Inner Contact Resistance, maximum</b>	1 mOhm
<b>Insulation Resistance, minimum</b>	5000 MOhm
<b>Operating Frequency Band</b>	0 – 6000 MHz
<b>Outer Contact Resistance, maximum</b>	1 mOhm

## VSWR/Return Loss

# TA-DFHM

Frequency Band	VSWR	Return Loss (dB)	Insertion Loss (dB)
0–3000 MHz	1.04	36	0.03
3000–6000 MHz	1.12	25	0.05

## Mechanical Specifications

<b>Coupling Nut Proof Torque</b>	8 N-m   70.806 in lb
<b>Coupling Nut Retention Force</b>	450 N   101.164 lbf
<b>Interface Durability</b>	100 cycles
<b>Mechanical Shock Test Method</b>	IEC 60068-2-27

## Environmental Specifications

<b>Operating Temperature</b>	-55 °C to +85 °C (-67 °F to +185 °F)
<b>Storage Temperature</b>	-65 °C to +125 °C (-85 °F to +257 °F)
<b>Average Power, Ambient Temperature</b>	40 °C   104 °F
<b>Average Power, Inner Conductor Temperature</b>	100 °C   212 °F
<b>Climatic Sequence Test Method</b>	IEC 60068-1
<b>Corrosion Test Method</b>	IEC 60068-2-11
<b>Damp Heat Steady State Test Method</b>	IEC 60068-2-3
<b>Immersion Depth</b>	1 m
<b>Immersion Test Mating</b>	Mated
<b>Immersion Test Method</b>	IEC 60529:2001, IP68
<b>Thermal Shock Test Method</b>	IEC 60068-2-14
<b>Vibration Test Method</b>	IEC 60068-2-6

## Packaging and Weights

<b>Weight, net</b>	97.27 g   0.214 lb
--------------------	--------------------

## Regulatory Compliance/Certifications

Agency	Classification
CHINA-ROHS	Below maximum concentration value
ISO 9001:2015	Designed, manufactured and/or distributed under this quality management system
REACH-SVHC	Compliant as per SVHC revision on <a href="http://www.commscope.com/ProductCompliance">www.commscope.com/ProductCompliance</a>
ROHS	Compliant

# TA-DFHM

---



## \* Footnotes

**Immersion Depth**      Immersion at specified depth for 24 hours