

# DF-CAPKIT

---



7-16 DIN Female End Cap Assembly

## Product Classification

**Product Type**

Surge arrester accessory

**Ordering Note**

CommScope® standard product in Asia Pacific

## General Specifications

**Interface**

7-16 DIN Female

## Dimensions

**Width**

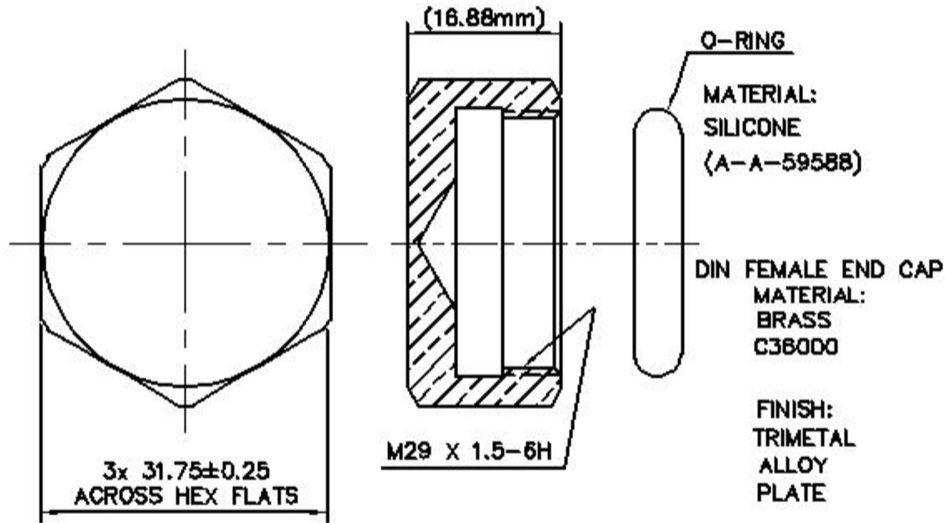
31.75 mm | 1.25 in

**Length**

16.88 mm | 0.665 in

## Outline Drawing

# DF-CAPKIT



## Mechanical Specifications

**Mechanical Shock Test Method** IEC 60068-2-27

## Environmental Specifications

**Operating Temperature** -55 °C to +85 °C (-67 °F to +185 °F)

**Storage Temperature** -65 °C to +125 °C (-85 °F to +257 °F)

**Corrosion Test Method** IEC 60068-2-11

**Immersion Depth** 1 m

**Immersion Test Mating** Mated

**Immersion Test Method** IEC 60529:2001, IP68

**Moisture Resistance Test Method** IEC 60068-2-3

# DF-CAPKIT

---

**Thermal Shock Test Method** IEC 60068-2-14

**Vibration Test Method** IEC 60068-2-6

## Packaging and Weights

**Packaging quantity** 1

**Weight, net** 63.5 g | 0.14 lb

## Regulatory Compliance/Certifications

### Agency

CHINA-ROHS

ISO 9001:2015

REACH-SVHC

ROHS

### Classification

Below maximum concentration value

Designed, manufactured and/or distributed under this quality management system

Compliant as per SVHC revision on [www.commscope.com/ProductCompliance](http://www.commscope.com/ProductCompliance)

Compliant



## \* Footnotes

**Immersion Depth** Immersion at specified depth for 24 hours