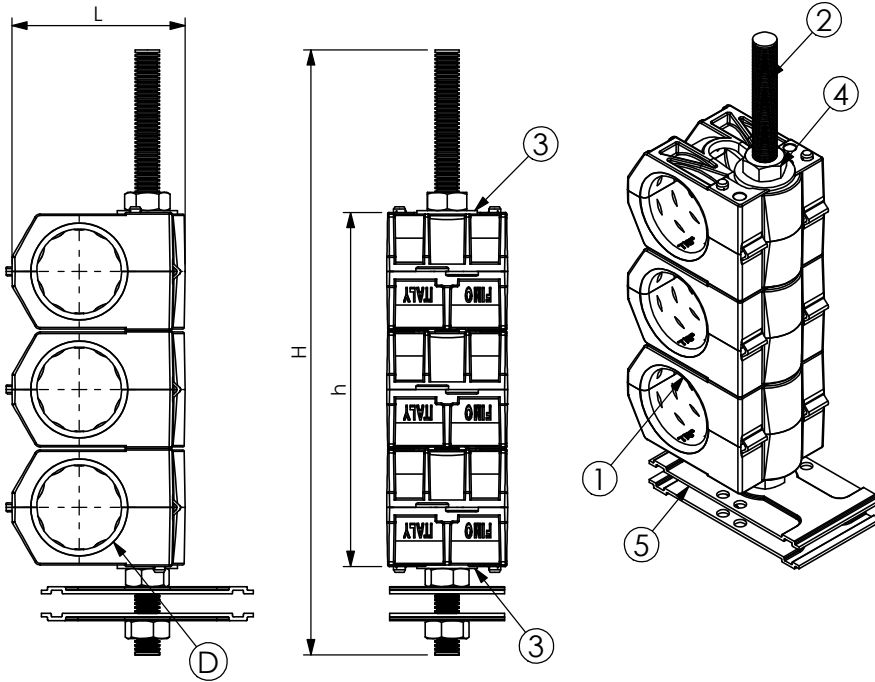


PRODUCT DATA SHEET



A) SPECIFICATIONS

- 1 P.P. SAM hinged single saddle
- 2 Stainless steel threaded bar BFI M8
- 3 Stainless steel elastic washer RPI 10/20
- 4 Stainless steel hexagonal nut DAI 8
- 5 Stainless steel pressure plate PRUC

B) RESISTANCE TESTS

UV Test BS-ISO 105-B06
 Vibration test conforming to UNI 60068-2-6
 Operating temperature: -50°C +80°C



C) PACKAGING INFORMATION

Packing in boxes.
 Label indicating:
 product code, article, quantity,
 production batch,
 FIMO logo and figure.
 (Customer code on request).

D) MOUNTING INSTRUCTIONS

On request

CODE	ARTICLE	ø D	L	h	H	BOX	WEIGHT
61 1578 0311	USL/ 3x11	10 - 11	44	100	63	20	117
61 1578 0314	USL/ 3x1/2" S (14)	13 - 14	50	125	81	20	144
61 1578 0312	USL/ 3x1/2" (17)	16 - 17	50	125	81	20	144
61 1578 0378	USL/ 3x7/8" (28)	27 - 28	59	200	114	20	200
61 1578 3114	USL/ 3x1.1/4" (40)	39 - 40	70	250	150	20	248
61 1578 3158	USL/ 3x1.5/8" (52)	50 - 52	80	300	198	20	315

RI	DATE	DR	DATE	AP	Description:	
02					Cable Clamps type USO+2 PUC 70	
01						
00	06/10/15	G.S.	06/10/15	A.V.		
1 ST EMISSION						
						Use:
					Fixing of 3 cables on steel wire-mesh cable trays	