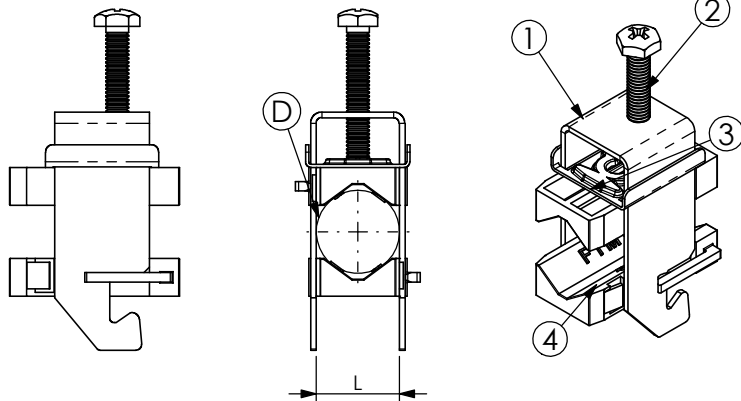


PRODUCT DATA SHEET



A) SPECIFICATIONS

- 1 Stainless steel bow
Hooking on section 40x22mm
- 2 Self-locking pressure screw M6
- 3 Stainless steel sliding pressure plate.
- 4 SEP black P.A. fiberglass saddles

B) RESISTANCE TESTS

UV Test BS-ISO 105-B06
Vibration test conforming to UNI 60068-2-6
Operating temperature: -30°C +120°C

C) PACKAGING INFORMATION

Packing in boxes.
Label indicating:
product code, article, quantity,
production batch,
FIMO logo and figure.
(Customer code on request).

D) MOUNTING INSTRUCTIONS

IST026

CODE	ARTICLE	Nº CABLES	L	∅ CABLES	BOX	WEIGHT
60 1514 0861	OX C / 1 x 12	1	12	6 - 12	100	40
60 1514 0863	OX C / 1 x 22	1	22	12 - 22	100	56
60 1514 0865	OX C / 1 x 34	1	34	22 - 34	100	92
60 1514 0867	OX C / 1 x 46	1	46	34 - 46	50	122
60 1514 0869	OX C / 1 x 58	1	58	46 - 58	50	146
60 1514 0871	OX C / 1 x 70	1	70	58 - 70	50	164

RI	DATE	DR	DATE	AP	Description:
02					Stainless cable clamps type OX C For 1 coaxial cable, complete with 2 saddles. For articles see schedule.
01					
00	29/01/16	G.S.	29/01/16	A.V.	
1 ST EMISSION					
					Use: Fastening of 1 coaxial cable. Hooking on section 40x22mm