

F2TNM-PL

Type N Male Positive Lock for 3/8 in FSJ2-50 cable



Product Classification

| | |
|----------------------|----------------------------------|
| Product Type | Wireless and radiating connector |
| Product Brand | HELIAX® |

General Specifications

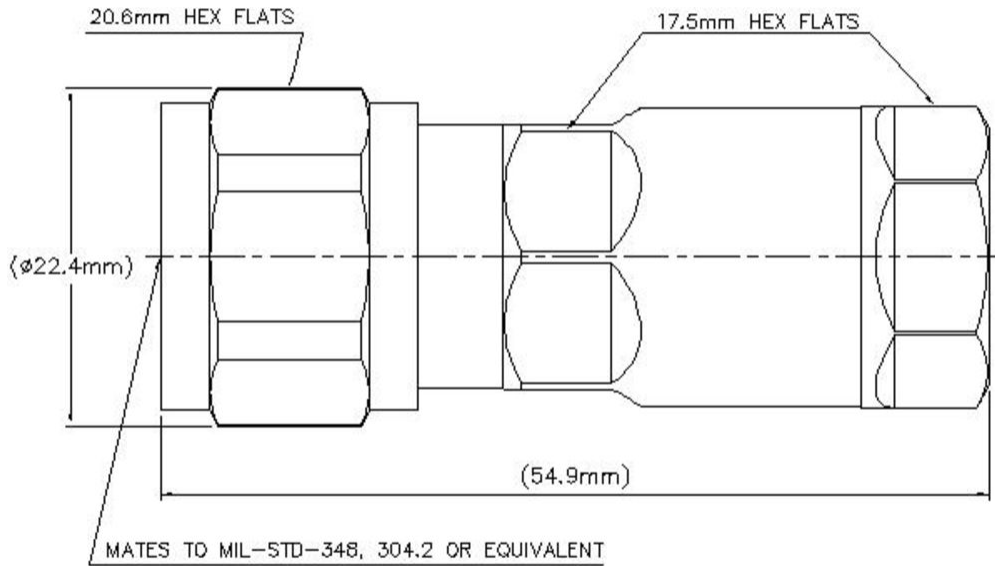
| | |
|--|-------------|
| Body Style | Straight |
| Cable Family | FSJ2-50 |
| Inner Contact Attachment Method | Captivated |
| Inner Contact Plating | Silver |
| Interface | N Male |
| Mounting Angle | Straight |
| Outer Contact Attachment Method | Crush-flare |
| Outer Contact Plating | Trimetal |
| Pressurizable | No |

Dimensions

| | |
|---------------------|---------------------|
| Height | 0.88 in 22.352 mm |
| Width | 0.88 in 22.352 mm |
| Length | 2.16 in 54.864 mm |
| Diameter | 0.88 in 22.352 mm |
| Nominal Size | 3/8 in |

Outline Drawing

F2TNM-PL



Electrical Specifications

| | |
|--|----------------------|
| 3rd Order IMD at Frequency | -116 dBm @ 1800 MHz |
| 3rd Order IMD Test Method | Two +43 dBm carriers |
| Insertion Loss, typical | 0.05 dB |
| Attenuation, Ambient Temperature | 20 °C 68 °F |
| Average Power at Frequency | 0.7 kW @ 900 MHz |
| Cable Impedance | 50 ohm |
| Connector Impedance | 50 ohm |
| dc Test Voltage | 2300 V |
| Inner Contact Resistance, maximum | 1 mOhm |
| Insulation Resistance, minimum | 5000 MOhm |
| Operating Frequency Band | 0 – 6000 MHz |

F2TNM-PL

| | |
|---|-----------|
| Outer Contact Resistance, maximum | 0.25 mOhm |
| Peak Power, maximum | 10 kW |
| RF Operating Voltage, maximum (vrms) | 707 V |
| Shielding Effectiveness | -110 dB |

VSWR/Return Loss

| Frequency Band | VSWR | Return Loss (dB) |
|-----------------------|-------------|-------------------------|
| 0–3000 MHz | 1.07 | 30 |
| 3000–4000 MHz | 1.09 | 28 |
| 4000–6000 MHz | 1.11 | 26 |

Mechanical Specifications

| | |
|--|---------------------------|
| Connector Retention Tensile Force | 151 lbf 671.681 N |
| Connector Retention Torque | 23.9 in lb 2.7 N-m |
| Coupling Nut Proof Torque | 15.05 in lb 1.7 N-m |
| Coupling Nut Retention Force | 101.16 lbf 449.982 N |
| Coupling Nut Retention Force Method | MIL-C-39012C-3.25, 4.6.22 |
| Insertion Force | 6.29 lbf 27.979 N |
| Insertion Force Method | IEC 61169-1:15.2.4 |
| Interface Durability | 500 cycles |
| Interface Durability Method | IEC 61169-16:9.5 |
| Mechanical Shock Test Method | IEC 60068-2-27 |

Environmental Specifications

| | |
|---|---------------------------------------|
| Operating Temperature | -55 °C to +85 °C (-67 °F to +185 °F) |
| Storage Temperature | -65 °C to +125 °C (-85 °F to +257 °F) |
| Average Power, Ambient Temperature | 40 °C 104 °F |
| Average Power, Inner Conductor Temperature | 100 °C 212 °F |
| Corrosion Test Method | IEC 60068-2-11 |
| Immersion Depth | 1 m |
| Immersion Test Mating | Mated |
| Immersion Test Method | IEC 60529:2001, IP68 |
| Moisture Resistance Test Method | IEC 60068-2-3 |

F2TNM-PL

Thermal Shock Test Method IEC 60068-2-14

Vibration Test Method IEC 60068-2-6

Packaging and Weights

Weight, net 87.43 g | 0.193 lb

Regulatory Compliance/Certifications

| Agency | Classification |
|---------------|--|
| CHINA-ROHS | Below maximum concentration value |
| ISO 9001:2015 | Designed, manufactured and/or distributed under this quality management system |
| REACH-SVHC | Compliant as per SVHC revision on www.commscope.com/ProductCompliance |
| ROHS | Compliant |



* Footnotes

Immersion Depth Immersion at specified depth for 24 hours

Insertion Loss, typical $0.05\sqrt{\text{freq}}$ (GHz) (not applicable for elliptical waveguide)