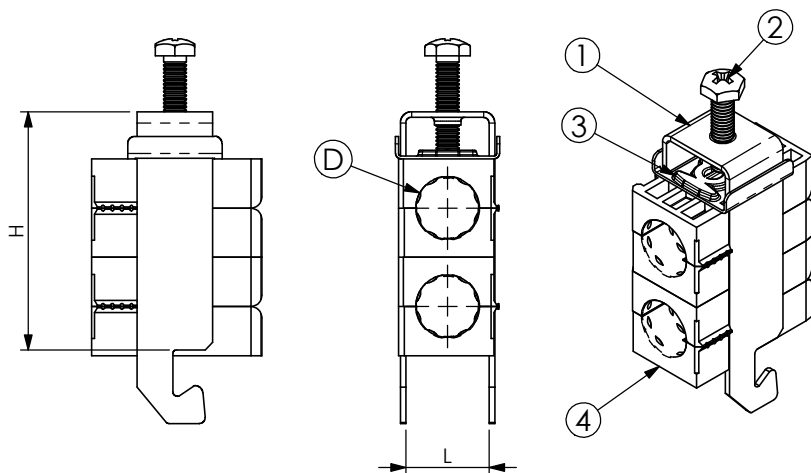


PRODUCT DATA SHEET



A) SPECIFICATIONS

- 1 Stainless steel bow
Hooking on section 40x22mm
- 2 Self-locking pressure screw M6
- 3 Stainless steel sliding pressure plate.
- 4 DAS/DAT black P.A. saddles

B) RESISTANCE TESTS

UV Test BS-ISO 105-B06
Vibration test conforming to UNI 60068-2-6
Operating temperature: -30°C +120°C

C) PACKAGING INFORMATION

Packing in boxes.
Label indicating:
product code, article, quantity,
production batch,
FIMO logo and figure.
(Customer code on request).

D) MOUNTING INSTRUCTIONS

IST026

CODE	ARTICLE	ø D	L	H	WEIGHT
61 1581 0205	mRF C/ 2x5	4 - 5	12	39	38
61 1581 0206	mRF C/ 2x6	5 - 6	12	39	38
61 1581 0207	mRF C/ 2x7	6 - 7	12	39	38
61 1581 0208	mRF C/ 2x8	7 - 8	12	39	38
61 1581 0209	mRF C/ 2x9	8 - 9	12	39	34
61 1581 0210	mRF C/ 2x10	10 - 11	12	39	34
61 1581 0212	mRF C/ 2x1/2" (17)	16 - 17	22	63	99
61 1581 0278	mRF C/ 2x7/8" (28)	27 - 28	34	87	169

RI	DATE	DR	DATE	AP	Description:
02					Stainless cable clamps type mRF C For 2 coaxial cable, complete with 2 calibrated saddles. For articles see schedule.
01					
00	29/01/16	G.S.	29/01/16	A.V.	
1 ST EMISSION					
					Use: Fastening of 2 coaxial cable. Hooking on section 40x22mm