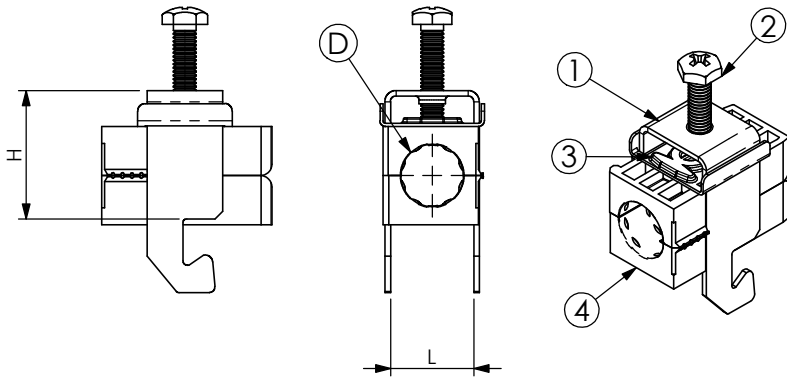


# PRODUCT DATA SHEET



## A) SPECIFICATIONS

- 1 Stainless steel bow  
Hooking on section 40x22mm
- 2 Self-locking pressure screw M6
- 3 Stainless steel sliding pressure plate.
- 4 DAS/DAT black P.A. saddles

## B) RESISTANCE TESTS

UV Test BS-ISO 105-B06  
Vibration test conforming to UNI 60068-2-6  
Operating temperature: -30°C +120°C

## C) PACKAGING INFORMATION

Packing in boxes.  
Label indicating:  
product code, article, quantity,  
production batch,  
FIMO logo and figure.  
( Customer code on request ).

## D) MOUNTING INSTRUCTIONS

IST026

CODE	ARTICLE	ø D	L	H	WEIGHT
61 1581 0005	mRF C/ 1x5	4 - 5	12	24	28
61 1581 0006	mRF C/ 1x6	5 - 6	12	24	28
61 1581 0007	mRF C/ 1x7	6 - 7	12	24	28
61 1581 0008	mRF C/ 1x8	7 - 8	12	24	28
61 1581 0009	mRF C/ 1x9	8 - 9	12	24	25
61 1581 0010	mRF C/ 1x10	10 - 11	12	24	25
61 1581 0012	mRF C/ 1x1/2" (17)	16 - 17	22	34	55
61 1581 0078	mRF C/ 1x7/8" (28)	27 - 28	34	46	85

RI	DATE	DR	DATE	AP	Description:
02					Stainless cable clamps type mRF C For 1 coaxial cable, complete with 1 calibrated saddles. For articles see schedule.
01					
00	29/01/16	G.S.	29/01/16	A.V.	
1 <sup>ST</sup> EMISSION					
					Use: Fastening of 1 coaxial cable. Hooking on section 40x22mm