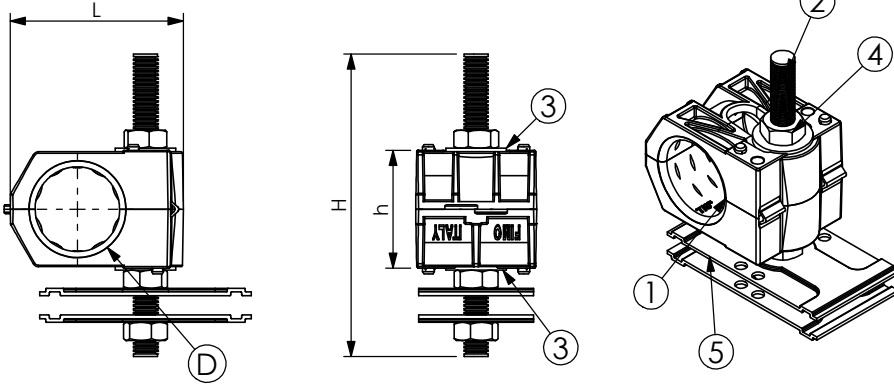


# PRODUCT DATA SHEET



## A) SPECIFICATIONS

- 1 P.P. SAM hinged single saddle
- 2 Stainless steel threaded bar BFI M8
- 3 Stainless steel elastic washer RPI 10/20
- 4 Stainless steel hexagonal nut DAI 8
- 5 Stainless steel pressure plate PRUC

## B) RESISTANCE TESTS

UV Test BS-ISO 105-B06  
 Vibration test conforming to UNI 60068-2-6  
 Operating temperature: -50°C +80°C

## C) PACKAGING INFORMATION

Packing in boxes.  
 Label indicating:  
 product code, article, quantity,  
 production batch,  
 FIMO logo and figure.  
 ( Customer code on request ).

## D) MOUNTING INSTRUCTIONS

On request

CODE	ARTICLE	∅ D	L	h	H	BOX	WEIGHT
61 1578 0011	USL/ 1x11	10 - 11	44	75	21	20	83
61 1578 0014	USL/ 1x1/2" S (14)	13 - 14	50	75	27	20	85
61 1578 0012	USL/ 1x1/2" (17)	16 - 17	50	75	27	20	85
61 1578 0078	USL/ 1x7/8" (28)	27 - 28	59	100	38	20	115
61 1578 0114	USL/ 1x1.1/4" (40)	39 - 40	70	100	54	20	144
61 1578 0158	USL/ 1x1.5/8" (52)	50 - 52	80	125	66	20	190

RI	DATE	DR	DATE	AP	Description:
02					Cable Clamps type USO+2 PUC 70
01					
00	06/10/15	G.S.	06/10/15	A.V.	
1 <sup>ST</sup> EMISSION					
					Use: Fixing of 1 cable on steel wire-mesh cable trays