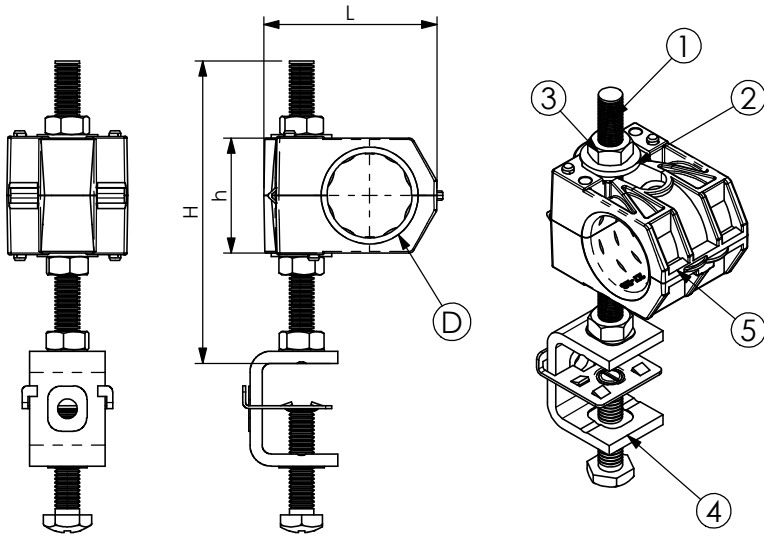


PRODUCT DATA SHEET



A) SPECIFICATIONS

- 1 Stainless steel threaded bar BFI M8
- 2 Stainless steel flat Washer RPI 8/16
- 3 Stainless steel hexagonal nut DAI 8
- 4 Stainless steel MIM 8 clamp
- 5 SAM Single saddle P.P. U.V. resistant

B) RESISTANCE TESTS

UV Test BS-ISO 105-B06
 Vibration test conforming to UNI 60068-2-6
 Operating temperature: -50°C +80°C

C) PACKAGING INFORMATION

Packing in boxes.
 Label indicating:
 product code, article, quantity,
 production batch,
 FIMO logo and figure.
 (Customer code on request).

D) MOUNTING INSTRUCTIONS

On request

CODE	ARTICLE	ø D	L	h	H	WEIGHT
61 1572 0011	USC/ 1x11	10 - 11	44	75	21	102
61 1572 0014	USC/ 1x1/2" S (14)	13 - 14	50	75	27	105
61 1572 0012	USC/ 1x1/2" (17)	16 - 17	50	75	27	105
61 1572 0078	USC/ 1x7/8" (28)	27 - 28	59	100	38	132
61 1572 0114	USC/ 1x1.1/4" (40)	39 - 40	70	100	54	155
61 1572 0158	USC/ 1x1.5/8" (52)	50 - 52	80	125	66	155

RI	DATE	DR	DATE	AP	Description:
02					Cable Clamps type USO +MIM 8/25
01					
00	06/10/15	G.S.	06/10/15	A.V.	
1 ST EMISSION					
					Use: Fixing of 1 cable on flat 3-25 and round ø 8-25.