

## Downtilt Kit 737978

### Description

---

Mounting Hardware for Special Communication Antennas:  
Standard Downtilt Kit for Panel Antennas  
(Wind Load Category "L" and "M")



### Technical Data

---

#### Mechanical Data

Weight 2.3 kg

- Panel antennas with attached mounting plates
- Downtilt kit without scale for universal use

#### Material

Hot-Dip galvanized Steel

Screws: Hot-Dip galvanized Steel / Stainless steel

Nuts / washers: Stainless steel

#### Environmental Data

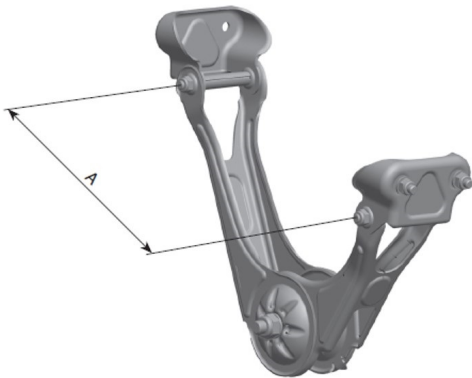
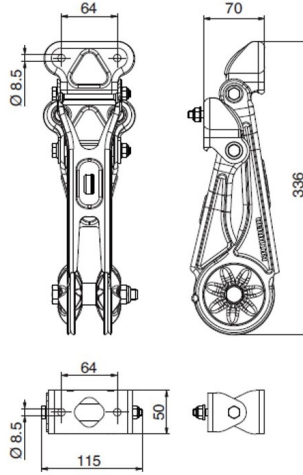
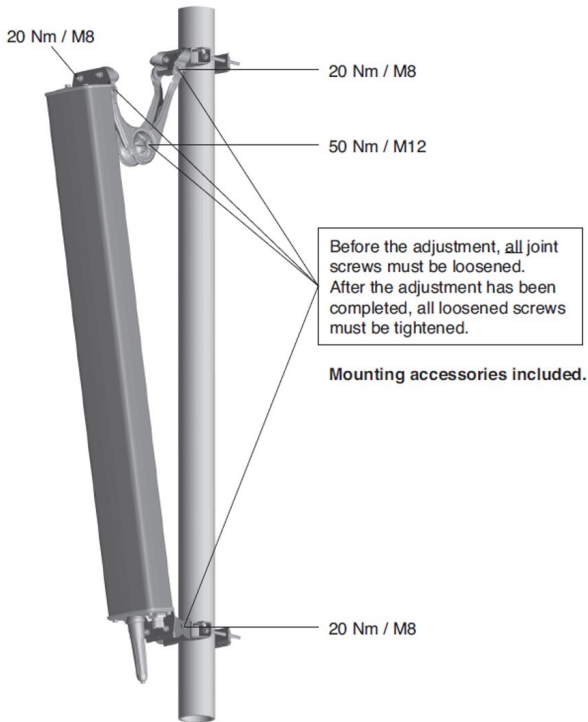
#### Related Documents

Security instruction DOC-0000278984

#### Additional Information

Instructions to adjust the required downtilt angle are given in the datasheet or on the rearside of the antenna. Mounting this downtilt kit enlarges the spacing between mast and antenna by 84 mm. Use the downtilt kit together with the clamps as described in the antenna datasheet.

## Downtilt Kit 737978



Distance "A" between the jointbolts of the downtilt kit in mm (max. 395 mm).

You will find the values for "A" on the mounting instruction.

For example:

α°	X mm
1°	77
2°	104
3°	138
4°	174
5°	212
7°	290
9°	369