

Sturdy, 3 dBd, Omnidirectional lightning protected Base Station Antenna for the TETRA Bands

DESCRIPTION

- CXL 70-3HD/...-PT is 3 dBd, vertically polarized, omnidirectional base station antenna for the TETRA bands with two models.
- The antenna has been approved to withstand lightning (10/350 µs impulses/200 kA) according to EN 62305-1.
- The antenna is provided with our sturdy type “HD” mast mount - a heavy-duty, multipurpose mounting bracket made of non-corrosive aluminium. The accompanying U-bolts and fittings are made of stainless steel.
- The antenna can be mounted on mast tubes of 58 to 105 mm in outer diameter. Furthermore, the construction of the mount makes it possible to lead the cable either along the inside or on the outside of the mast tube.
- The antenna element is sealed in a high-quality, conical glass fibre tube with low wind load, ensuring undisturbed performance in all climates.
- To substantially reduce noise caused by atmospherical discharges, all metal parts in the antenna are DC-grounded. Consequently, the antenna shows a DC-short across the coaxial cable.
- CXL 70-3HD/...-PT is a vibration-proof, slim-line, corrosion-resistant, modern style base station antenna.



ORDERING

| Type | Product No. | Frequency |
|-----------------|-------------|---------------|
| CXL 70-3HD/l-PT | 100000373 | 380 - 400 MHz |
| CXL 70-3HD/h-PT | 100000380 | 410 - 430 MHz |

SPECIFICATIONS

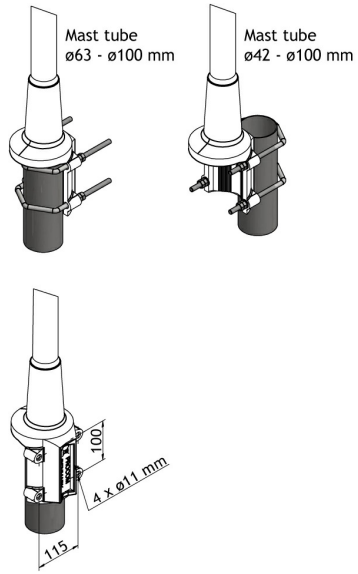
| Electrical | |
|-------------------------|--|
| Model | CXL 70-3HD/...-PT |
| Frequency | 380 - 400 MHz and 410 - 430 MHz |
| Antenna Type | Medium-gain collinear |
| Max. Input Power | 250 W |
| Polarisation | Vertical |
| Pattern Type | Omnidirectional |
| 3 dB Beamwidth, E-Plane | 25 ° |
| 3 dB Beamwidth, H-Plane | Omnidirectional |
| Impedance | 50 Ω |
| Gain | 3 dBd (5.2 dBi) |
| VSWR | < 1.5:1 |
| Lightning Protection | 200 kA (Test pulse 10/350 µs) |
| Antistatic Protection | All metal parts DC-grounded (Connector shows a DC-short) |
| HCM Code(s) | HCM000ND00, 015DE50 |

| Mechanical | |
|---------------|---|
| Connection(s) | N(f) |
| Materials | Radome : Polyurethane-coated glass fibre Mounting bracket : Seawater resistant aluminium, epoxy-coated |
| Colour | White (RAL 9003) |
| Wind Area | 0.11 sq. m / 1.18 sq. ft |
| Wind Load | 139 N (160km/h) |
| Height | 1750 mm / 68.90 in. |
| Weight | 4.75 kg / 10.47 lb |
| Mounting | On 58 - 105 mm dia. mast tube |

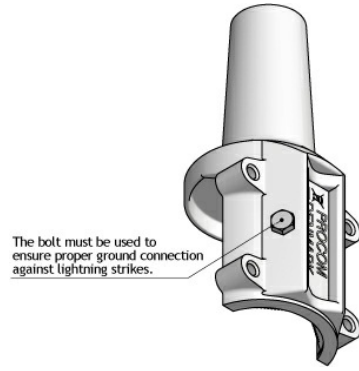
| Environmental | |
|-----------------------------|----------------|
| Operating Temperature Range | -30°C to +70°C |
| Survival Wind Speed | 200 km/h |

DIAGRAM

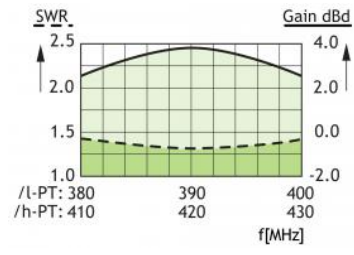
MULTI-PURPOSE MOUNTING BRACKET



MOUNTING DESCRIPTION FOR GROUND CONNECTION



TYPICAL GAIN AND SWR CURVES



TYPICAL RADIATION PATTERN (H-PLANE)

